

MA 210.X7.A Moisture Analyzer

WL-308-0039



The drawings, photos and graphics used are for illustrative purposes only.

Functions



Autotest



Statistics



IR sensors



GLP Procedures



Replaceable unit



Statistical Quality Control



ALIBI Memory



Drying modes



Samples drying



Moisture content analysis



Dry mass determination



Wi-Fi

Datasheet

Metrological parameters

Maximum capacity [Max]	210 g
Readability [d]	1 mg
Tare range	-210 g
Adjustment	external
Maximum sample weight	210 g
Heating module	IR emitter
Moisture content repeatability	±0.05 % (sample ~ 2 g), ±0.01 % (sample ~ 10 g)

Metrological parameters	
Moisture content readability	0.001 %
Drying temperature range	Max 160 °C
Physical parameters	
Leveling system	manual
Display	7" graphic colour touchscreen
Weighing chamber	automatic
Maximum sample height	20 mm
Weighing pan dimensions	ø90, h= 8 mm
Packaging dimensions W x D x H	476×381×346 mm
Net weight	5.2 kg
Gross weight	6.7 kg
Construction	
Protection class	IP 43
Components and software	
Database capacity	Products, Users, Packaging, Customers, Drying programs, Drying process reports, Ambient Conditions, Weighings
Features of use	
Display mode	%D, %M, %R, g
Drying method	4 drying profiles (standard, fast, step, mild)
Finish mode	4 modes (automatic, manual, time-defined, user-defined)
Additional functions	sample traceability
Communication interface	
Communication interface	RS232 ¹ , USB-A, USB-B, Ethernet, Wi-Fi
Electrical parameters	
Power supply	100 – 120 V AC 50/60 Hz or 200-240 V AC 50/60 Hz
Power consumption	6 W
Heating module power	450 W
Environmental conditions	
Operating temperature	+10 – +40 °C
Mass indication control	External mass standard 50g, 100g, 200g, depending on the type of moisture analyzer (additional equipment)
Drying temperature adjustment	Three-point adjustment at defined temperatures, programmable values (additional equipment: GT105k-12/Z Control Thermometer)
SOP – metrological tests (additional options)	
Drying temperature control	One- or two-point, depending on the drying profile (additional equipment: GT105k-12/Z Control Thermometer)
Moisture content indication control	Certified MV Test Set (additional equipment)

¹ Barcode scanners, available as weighing instrument accessory, communicate with the instrument via RS232 interface exclusively.

* Wi-Fi® is a registered trademark of Wi-Fi® Alliance.



Accessories (Additional Fee)

Antivibration Tables
Moisture analyzer accessories
Barcode scanners
Protective cover for balances
Receipt Printer

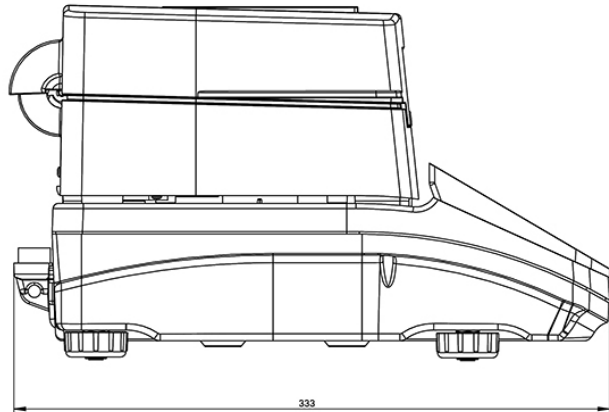
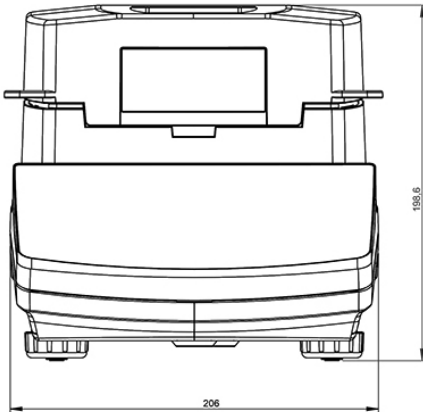
RS 232, RS 485 cables
Additional modules
RS 232 cables (scale - printer)
RS 232 – RS 485 Converter

Software (Additional Fee)

- RAD Key [WX-010-0005]
- Alibi Reader [WX-010-0114]
- RADWAG Development Studio [WX-010-0104]

- E2R Moisture Analyzers [WX-010-0072]
- Scale Editor 2.1 [WX-010-0173]

Device dimensions W x D x H



MRM Metrology Inc.
905 595 1000
sales@MRMmetrology.com
www.MRMmetrology.com