



Dial Indicators

Optional Accessories

- Limit hand (2 pcs.), Bezel clamp
Refer to page F-31 for details.

SERIES 3, 4 — Long Stroke Type, Large Diameter

- Dial indicators with a large-diameter dial face for easy reading.
- The indicator is highly durable thanks to its oil- and water-tight design, quenched hardened stainless-steel, carbide contact point, and a grand gear made of wear- and deformation-resistant material.
- Application of an anti-reflective and hard surface coating improves scale visibility along with scratch and chemical resistance.



3109A-10



4046A



3058A-19

SPECIFICATIONS

Inch Stem $\phi 3/8"$, #4-48 UNF ANSI/AGD type ISO/JIS type

Order No.		Graduation (in)	Range (range/rev) (in)	Accuracy*2 (in)		Retrace	Repeat-ability (in)	Dial reading	Measuring force (N)
w/lug	Flat-back			First 1 Rev/2.5 Rev/10 Rev	20 Rev				
3414A	3414AB	0.001	0.5 (0.1)	$\pm 0.001/\pm 0.001/\pm 0.001$	0.0002	± 0.0002	$\pm 0-100$	1.8 or less	
3415A	3415AB	0.001	0.5 (0.1)	$\pm 0.001/\pm 0.001/\pm 0.001$	0.0002	± 0.0002	0-50-0	1.8 or less	
3416A	3416AB	0.001	1 (0.1)	$\pm 0.001/\pm 0.001/\pm 0.002$	0.0002	± 0.0002	$\pm 0-100$	1.8 or less	
3417A	3417AB	0.001	1 (0.1)	$\pm 0.001/\pm 0.001/\pm 0.002$	0.0002	± 0.0002	0-50-0	1.8 or less	
3424A-19	3424AB-19	0.001	2 (0.1)	$\pm 0.001/\pm 0.001/\pm 0.002$ / ± 0.003 (20 Rev)	0.00033	± 0.0002	$\pm 0-100$	3.0 or less	
3426A-19*1	3426AB-19*1	0.001	3 (0.1)	$\pm 0.001/\pm 0.001/\pm 0.002/\pm 0.003$ (20 Rev)/ ± 0.005 (Over 20 Rev)	0.00033	± 0.0002	$\pm 0-100$	3.0 or less	
3428A-19*1	3428AB-19*1	0.001	4 (0.1)	$\pm 0.001/\pm 0.001/\pm 0.002/\pm 0.003$ (20 Rev)/ ± 0.005 (Over 20 Rev)	0.00033	± 0.0002	$\pm 0-100$	3.5 or less	
3802A-10	3802AB-10	0.0001	0.025 (0.01)	$\pm 0.0001/\pm 0.0001/-$	0.0001	± 0.00003	0-10	2.0 or less	
3803A-10	3803AB-10	0.0001	0.025 (0.01)	$\pm 0.0001/\pm 0.0001/-$	0.0001	0 ± 0.0003	0-5-0	2.0 or less	
4887A-19*1	4887AB-19*1	0.001	3 (0.1)	$\pm 0.001/\pm 0.001/\pm 0.002/\pm 0.003$ (20 Rev)/ ± 0.005 (Over 20 Rev)	0.00033	± 0.0002	$\pm 0-100$	3.0 or less	

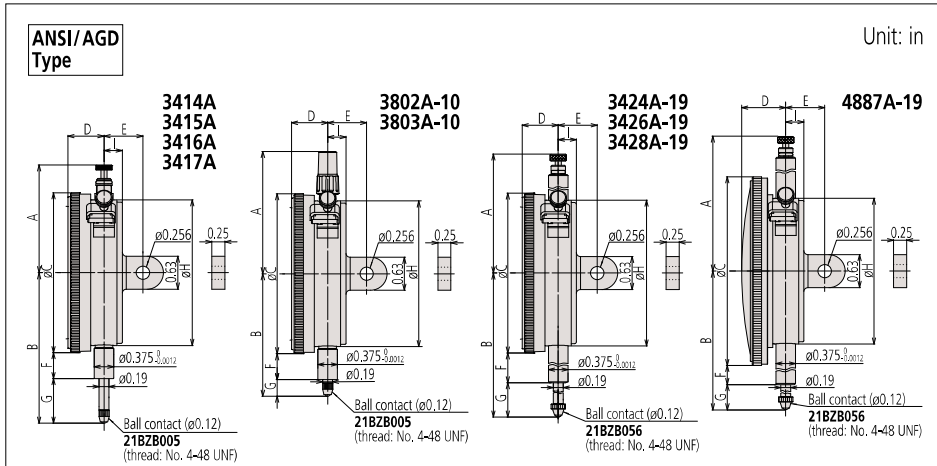
Metric Stem $\phi 8\text{mm}$, M2.5x0.45 Thread

Order No.		Graduation (mm)	Range (range/rev) (mm)	Accuracy (μm)				Hysteresis	Repeat-ability	Dial reading	Measuring force (N)
w/lug	Flat-back			1/10 Rev	1/2 Rev	1 Rev	Measuring range				
3046A	3046AB	0.01	10 (1)	5	9	10	15	3	3	$\pm 0-100$	1.4 or less
3047A	3047AB	0.01	10 (1)	5	9	10	15	3	3	0-50-0	1.4 or less
3050A	3050AB	0.01	20 (1)	8	10	15	20	5	4	$\pm 0-100$	2.0 or less
3052A-19	3052AB-19	0.01	30 (1)	10	12	15	25	7	5	$\pm 0-100$	2.5 or less
3058A-19	3058AB-19	0.01	50 (1)	10	12	15	30	8	5	$\pm 0-100$	3.0 or less
3060A-19*1	3060AB-19*1	0.01	80 (1)	12	17	20	45	9	5	$\pm 0-100$	3.0 or less
3062A-19*1	3062AB-19*1	0.01	100 (1)	12	17	20	50	9	5	$\pm 0-100$	3.5 or less
3109A-10	3109AB-10	0.001	1 (0.2)	2	3.5	4	5	2	0.5	0-100-0	1.5 or less
4046A	4046AB	0.01	10 (1)	5	9	10	15	3	3	$\pm 0-100$	1.4 or less

*1 Use in a vertical orientation (contact point downward) for the long stroke model.

Dial Indicators

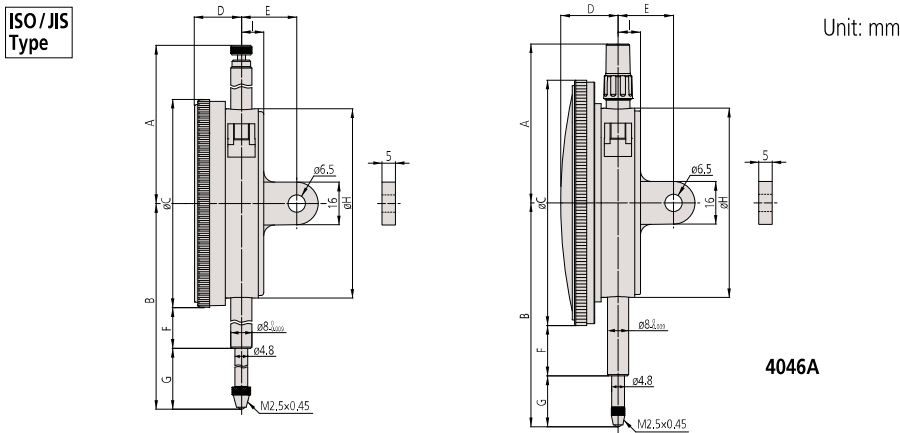
DIMENSIONS



Order No.	A	B	C	D	E	F	G	H	I
3414A	2.07	2.89	3.07	0.70	3/4	0.50	0.86	2.80	0.35
3415A	2.07	2.89	3.07	0.70	3/4	0.50	0.86	2.80	0.35
3416A	2.07	3.39	3.07	0.70	3/4	0.50	1.36	2.80	0.35
3417A	2.07	3.39	3.07	0.70	3/4	0.50	1.36	2.80	0.35
3424A-19*	3.31	5.88	3.07	0.70	3/4	1.99	2.35	2.80	0.35
3426A-19*	4.84	7.80	3.07	0.70	3/4	2.91	3.35	2.80	0.35
3428A-19*	5.67	9.63	3.07	0.70	3/4	3.74	4.35	2.80	0.35
3802A-10	2.41	2.35	3.07	0.70	3/4	0.50	0.32	2.80	0.35
3803A-10	2.41	2.35	3.07	0.70	3/4	0.50	0.32	2.80	0.35
4887A-19*	4.84	7.80	3.62	0.85	3/4	2.63	3.35	2.80	0.35

* The shoulder on a contact point (standard accessory) acts as a stop to prevent spindle overrun that may otherwise damage the indicator. When replacing it with an optional contact point with a connector not exceeding ø7 mm in outside diameter, insert a washer (with ø7 mm outside diameter, ø3 mm inside diameter, and approximately 0.5 mm thickness) above the contact point.

Note: Refer to pages F-63 to F-68 for details of contact points.



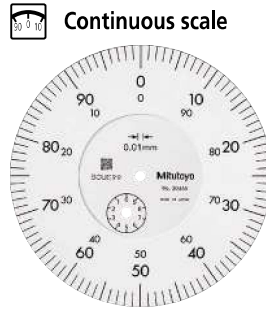
Order No.	A	B	C	D	E	F	G	H	I
3046A	59.6	75.5	78	17.7	21	15.9	20.6	71	9
3047A	59.6	75.5	78	17.7	21	15.9	20.6	71	9
3050A	52.6	94	78	17.7	21	25.9	29.1	71	9
3052A-19*	72.9	104.3	78	17.7	21	25.9	39.4	71	9
3058A-19*	81.9	142.3	78	17.7	21	43.9	59.4	71	9
3060A-19*	120.9	202.3	78	17.7	21	73.9	89.4	71	9
3062A-19*	141.9	243.3	78	17.7	21	94.9	109.4	71	9
3109A-10	59.6	79	78	17.7	21	25.9	14.1	71	9
4046A	59.6	84	92	21.5	21	18.9	19.1	71	9

* The shoulder on a contact point (standard accessory) acts as a stop to prevent spindle overrun that may otherwise damage the indicator. When replacing it with an optional contact point with a connector not exceeding ø7 mm in outside diameter, insert a washer (with ø7 mm outside diameter, ø3 mm inside diameter, and approximately 0.5 mm thickness) above the contact point.

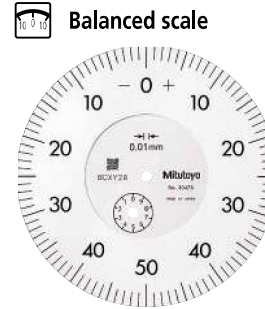
Note: Refer to pages F-63 to F-68 for details of contact points.

Dial Indicators

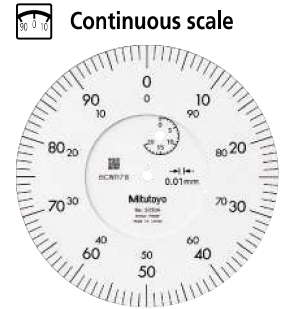
SERIES 3, 4 — Long Stroke Type, Large Diameter



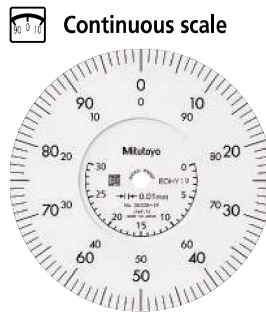
Graduation: 0.01 mm, 3046A
Measuring range: 10 mm



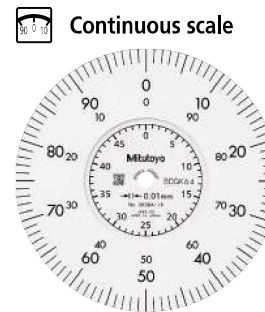
Graduation: 0.01 mm, 3047A
Measuring range: 10 mm



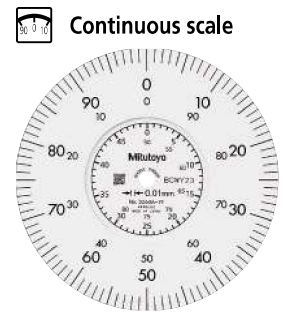
Graduation: 0.01 mm, 3050A
Measuring range: 20 mm



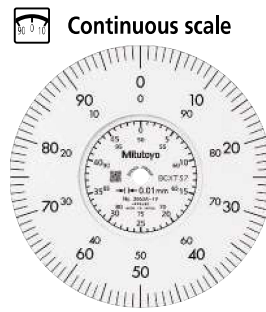
Graduation: 0.01 mm, 3052A-19
Measuring range: 30 mm



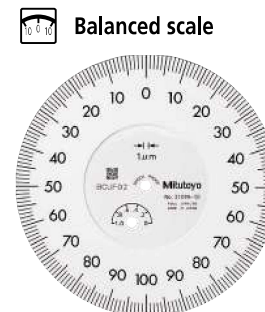
Graduation: 0.01 mm, 3058A-19
Measuring range: 50 mm



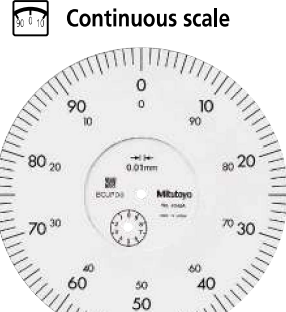
Graduation: 0.01 mm, 3060A-19
Measuring range: 80 mm



Graduation: 0.01 mm, 3062A-19
Measuring range: 100 mm



Graduation: 0.001 mm, 3109A-10
Measuring range: 1 mm



Graduation: 0.01 mm, 4046A
Measuring range: 10 mm

FEATURES

Inch		ANSI/AGD type					
Order No.							
w/lug	Flat-back						
3414A	3414AB	✓					
3415A	3415AB		✓				
3416A	3416AB	✓					
3417A	3417AB		✓				
3424A-19	3424AB-19	✓		✓	✓	✓	✓
3426A-19	3426AB-19	✓		✓	✓	✓	✓
3428A-19	3428AB-19	✓		✓	✓	✓	✓
3802A-10	3802AB-10	✓		✓	✓		
3803A-10	3803AB-10		✓	✓	✓		
4887A-19	4887AB-19	✓		✓	✓	✓	✓

Metric		ISO/JIS type					
Order No.							
w/lug	Flat-back						
3046A	3046AB	✓					
3047A	3047AB		✓				
3050A	3050AB	✓			✓		
3052A-19	3052AB-19	✓		✓	✓	✓	✓
3058A-19	3058AB-19	✓		✓	✓	✓	✓
3060A-19	3060AB-19	✓		✓	✓	✓	✓
3062A-19	3062AB-19	✓		✓	✓	✓	✓
3109A-10	3109AB-10		✓	✓		✓	
4046A	4046AB	✓					



MRM Metrology Inc.
905 595 1000
sales@MRMmetrology.com
www.MRMmetrology.com