

# Indicators

## ABSOLUTE Digimatic Indicator ID-CAX SERIES 543 — Peak-Value Hold Type

- The Peak Hold-Type Digimatic Indicator. GO/NG judgment is performed by setting the upper and lower tolerances for max., min. and runout values.\*1
- Five buttons, status icons, and clear button indications allow easy operation and various functions.
- Wide display and new analog bar graph are standard on all models.
- The ABS (ABSOLUTE) scale restores the last origin position\*2 automatically when the indicator is turned on, and realizes high reliability by eliminating over-speed errors.
- Equipped with a data output port that enables incorporation into measurement networking and statistical process control systems. (Refer to the A section)
- By using the parameter setup kit (optional) and the dedicated software, the functions and the parameters can be configured using a computer.

\*1 Tolerance judgment results cannot be output.  
\*2 Refer to "Precautions for use" on page F-2.



543-302-10

## SPECIFICATIONS

Inch / Metric		ASME / ANSI / AGD type						
Order No.	Range	Resolution	Accuracy (in)	Hysteresis	Repeatability	Measuring force (N)	Battery life (normal use)	Mass (g)
543-302-10	0.5 in / 12.7 mm	0.00005 / 0.0001 / 0.0005 in, 0.001 / 0.01 mm (selectable)	±0.00010	0.00010	0.00010	1.5 or less	Approx. 1 year	195
543-302B-10 (flat back)		170						

Inch / Metric		ISO / JIS Type						
Order No.	Range	Resolution	Accuracy (mm)	Hysteresis $H_{MPE}$	Repeatability $R_{MPE}$	Measuring force (N)	Battery life (normal use)	Mass (g)
543-301-10	0.5 in / 12.7 mm	0.00005 / 0.0001 / 0.0005 in, 0.001 / 0.01 mm (selectable)	0.003	0.003	0.002	1.5 or less	Approx. 1 year	180
543-301B-10 (flat back)		170						

Metric		ISO / JIS Type						
Order No.	Range (mm)	Resolution (mm)	Accuracy (mm)	Hysteresis $H_{MPE}$	Repeatability $R_{MPE}$	Measuring force (N)	Battery life (normal use)	Mass (g)
543-300-10	12.7	0.001 / 0.01 (selectable)	0.003	0.003	0.002	1.5 or less	Approx. 1 year	180
543-300B-10 (flat back)								170

• Power source: CR2032 battery (1 pc.), included as standard

MeasurLink ENABLED  
Data Management Software by Mitutoyo

ABSOLUTE™



## Functions

- Peak detection (MAX/MIN)
- Runout (MAX - MIN) Hold
- Note: Peak detection
  - 1) Sampling rate: 50 readings/s
  - 2) Capturing speed: 50 μm/s (max.)
- Zeroset (INC system)
- Preset function (ABS system)
- Measuring direction switching
- Tolerance judgment (3 pairs of ABS, INC memory function)
- Resolution selection
- Simple calculation  $f(x) = Ax$
- Analog bar resolution selection
- Key lock
- in/mm conversion (inch/mm type)
- Display hold (when no external device is connected)
- Data output
- External PC setting input
- Display rotation (330°)
- Low battery voltage alarm display
- Error alarm display

## Optional Accessories

Order No.	Type	Description
264-020	—	USB Input Tool Series USB Keyboard Signal Conversion Type IT-020U
905338	F	Connection cable (1 m)
905409	F	Connection cable (2 m)
06AFM380F	F	USB Input Tool Direct (2 m)
02AZD790F	F	Connection cable for <b>U-WAVE-T</b> (160 mm)
02AZE140F	F	Connection cable for <b>U-WAVE-T</b> For foot switch
264-622	IP67	<b>U-WAVE-TM</b>
264-623	Buzzer	<b>U-WAVE-TM</b>
02AZD810D	—	<b>U-WAVE-R</b>
264-626	IP67	<b>U-WAVE-TMB</b>
264-627	Buzzer	<b>U-WAVE-TMB</b>
02AZF670	—	<b>U-WAVE-TM/TMB</b> mounting bracket: for Digimatic Indicators

- Lifting  
Lifting lever **21EZA198**  
Lifting knob **21EZA105**
- Parameter setup kit: **21EZA313**  
Note: Parameter setting software (can be downloaded for free from the Mitutoyo website) is also required.



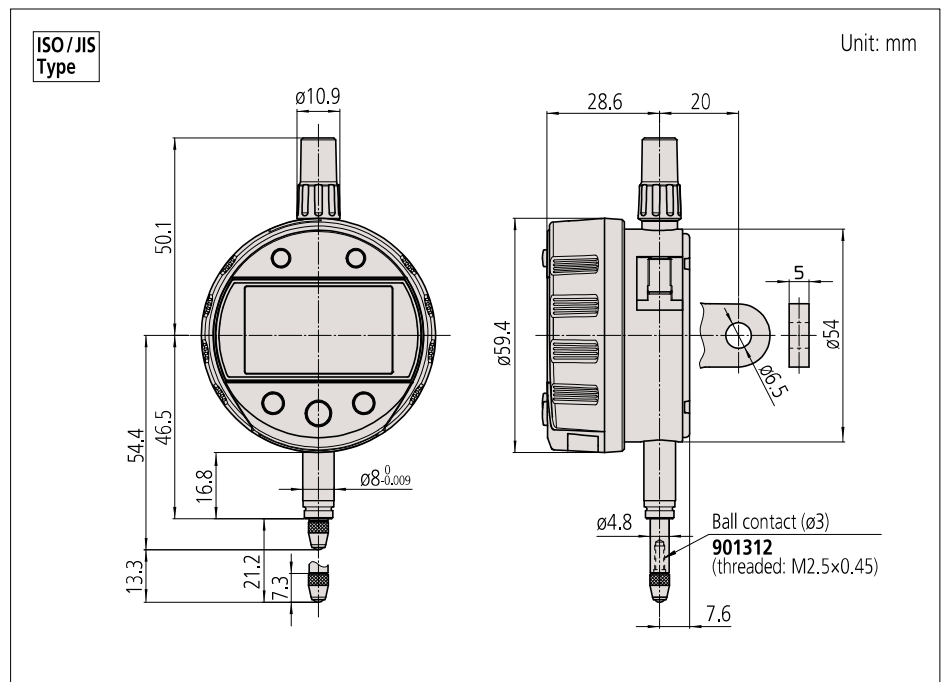
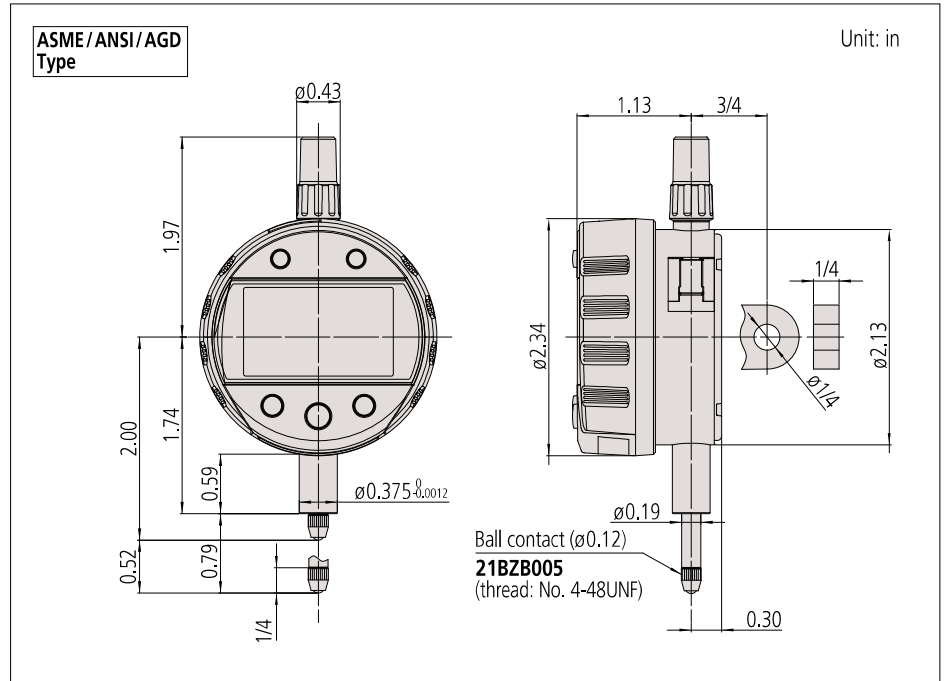
Parameter setup kit



Parameter setting software

- Contact points for Mitutoyo's Digimatic indicators (optional)  
Refer to pages F-63 to F-68 for details.
- Interchangeable back covers (optional)  
Refer to pages F-69 to F-70 for details.
- Measuring stands (optional)  
Refer to pages F-97 to F-103 for details.

## DIMENSIONS



MRM Metrology Inc.

905 595 1000

sales@MRMmetrology.com

www.MRMmetrology.com