



Defender[®] 3000

Bench Scales



Designed with affordability in mind, but with no compromise on quality!

The OHAUS Defender 3000 Series economy line of bench scales is ideal for general weighing and simple counting applications in production, packaging, warehouse, inventory, shipping and receiving areas. The Defender 3000 Series feature a simple, rugged tubular steel base with overload stops and durable stainless steel pan. The Defender 3000 Series is the solution to your weighing applications that require dependability within an affordable budget.

Standard Features Include:

- Five Capacities: 33 lb/15 kg, 66 lb/30 kg, 132 lb/60 kg, 330 lb/150 kg and 660 lb/300 kg (depending on calibration unit used).
- Default resolution 1:6000 to 7500d; NTEP certified and Measurement Canada approved to 3,000e.
- 304 stainless steel pan with painted carbon steel frame and aluminum IP67 load cell
- Indicator features a high-impact durable ABS plastic housing with reversible face for either wall, column or table-top mounting
- Adjustable non-slip rubber leveling feet with externally visible level indicator
- Multiple weighing units: lb, oz, lb:oz, kg, g (depending on model)
- Parts counting mode with selectable sample sizes, last sample size and Average Piece Weight data
- 1-in/25mm high LCD weight display with high-contrast backlight
- Built-in RS232 for printing and data connection
- AC adapter and internal rechargeable lead acid battery

Defender® 3000 Bench Scales

Models	D31P15BR	D31P30BR	D31P60BR	D31P60BL	D31P150BL	D31P150BX	D31P300BX
Capacity × Readability (d)	33 lb × 0.005 lb 5,28 oz × 0.1 oz 15 kg × 0.002 kg 15,000 g × 2 g	66 lb × 0.01 lb 1056 oz × 0.2 oz 66 lb × 0.2 oz (lb:oz) 30 kg × 0.005 kg 30,000 g × 5 g	132 lb × 0.02 lb 2,112 oz × 0.5 oz 60 kg × 0.01 kg 60,000 g × 10 g	132 lb × 0.02 lb 2,112 oz × 0.5 oz 60 kg × 0.01 kg 60,000 g × 10 g	330 lb × 0.05 lb 5,280 oz × 1 oz 150 kg × 0.02 kg 150,000 g × 20 g	330 lb × 0.05 lb 5,280 oz × 1 oz 150 kg × 0.02 kg 150,000 g × 20 g	660 lb × 0.1 lb 10,576 oz × 2 oz 660 lb × 2 oz (lb:oz) 300 kg × 0.05 kg 300,000 g × 50 g
Capacity × Readability (d) (Cal unit lb)	30 lb × 0.005 lb 4,80 oz × 0.1 oz 30 lb × 0.1 oz (lb:oz) 13.6 kg × 0.002 kg 13,600 g × 2 g	60 lb × 0.01 lb 960 oz × 0.2 oz 60 lb × 0.2 oz (lb:oz) 27 kg × 0.005 kg 27,000 g × 5 g	150 lb × 0.02 lb 2,400 oz × 0.5 oz 68 kg × 0.01 kg 68,000 g × 10 g	150 lb × 0.02 lb 2,400 oz × 0.5 oz 68 kg × 0.01 kg 68,000 g × 10 g	300 lb × 0.05 lb 4,800 oz × 1 oz 300 lb × 1 oz (lb:oz) 136 kg × 0.02 kg 136,000 g × 20 g	300 lb × 0.05 lb 4,800 oz × 1 oz 300 lb × 1 oz (lb:oz) 136 kg × 0.02 kg 136,000 g × 20 g	600 lb × 0.1 lb 9,600 oz × 2 oz 600 lb × 2 oz (lb:oz) 272 kg × 0.05 kg 272,000 g × 50 g
Displayed Resolution	1:7500	1:6000	1:7500	1:7500	1:7500	1:7500	1:6000
Capacity × Readability approved (e) (Cal unit lb)	30 lb × 0.01 lb 4,80 oz × 0.2 oz	60 lb × 0.02 lb 960 oz × 0.5 oz	150 lb × 0.05 lb 2,400 oz × 1 oz	150 lb × 0.05 lb 2,400 oz × 1 oz	300 lb × 0.1 lb 4,800 oz × 2 oz	300 lb × 0.1 lb 4,800 oz × 2 oz	600 lb × 0.2 lb 9,600 oz × 5 oz
Approved Resolution	1:3000						
Platform (W × D × min H)	12 × 14 × 4.8 in / 305 × 355 × 123 mm			16.5 × 21.6 × 5.4 in / 420 × 550 × 136 mm		19.7 × 25.6 × 5.8 in / 500 × 650 × 147 mm	
Front View Dimensions (F1 × F2 × F3 × F4 × F5 × F6)	8.2 × 6.5 × 12 × 4.8 × 3 × 10 in 210 × 166 × 305 × 123 × 75 × 256 mm			8.2 × 6.5 × 16.5 × 5.4 × 3.2 × 14.6 in 210 × 166 × 420 × 136 × 80 × 371 mm		8.2 × 6.5 × 19.7 × 5.6 × 3.5 × 17.3 in 210 × 166 × 500 × 143 × 90 × 440 mm	
Side View Dimensions (S1 × S2 × S3 × S4 × S5)	22.5 × 18.6 × 14 × 12 × 2 in 572 × 472 × 355 × 306 × 52 mm			36.2 × 26.3 × 21.7 × 19.7 × 2 in 920 × 668 × 550 × 500 × 52 mm		36.2 × 29.1 × 25.6 × 23.2 × 2 in 920 × 740 × 650 × 590 × 52 mm	
Column	13.8 in / 350 mm fixed height, tubular painted steel			27.6 in / 700 mm fixed height, tubular painted steel			
Safe Overload Capacity	125% of rated capacity						
Functions	Weighing, Parts Counting						
Weight Display	6-digit, 7-segment backlit LCD, 1 inch / 25 mm high digits						
Keyboard	4 function mechanical keys, raised, tactile						
Stabilization Time	Within 2 seconds						
Auto-zero Tracking	Off, 0.5, 1 or 3 divisions						
Key Zeroing Range	2% or 100% of capacity						
Span Calibration	5 lb/kg to 100% of capacity, user selectable						
Power	AC adapter with 100-hour internal rechargeable lead acid battery included						
Interface	Bi-directional RS232C						
Operating Temperature Range	14°F to 104°F / -10°C to 40°C, Maximum relative humidity 80 % for temperatures up to 88°F / 31°C, decreasing linearly to 50 % relative humidity at 104°F / 40°C, non condensing						
Net Weight	26 lb / 12 kg		42 lb / 19 kg		71 lb / 32 kg		
Shipping Weight	33 lb / 15 kg		51 lb / 23 kg		82 lb / 37 kg		
Shipping Dimensions(mm)	25.3 × 19.6 × 8.5 in / 642 × 497 × 212		33.7 × 22.2 × 8.9 in / 857 × 564 × 225		40.2 × 27 × 9.7 in / 1022 × 687 × 247		

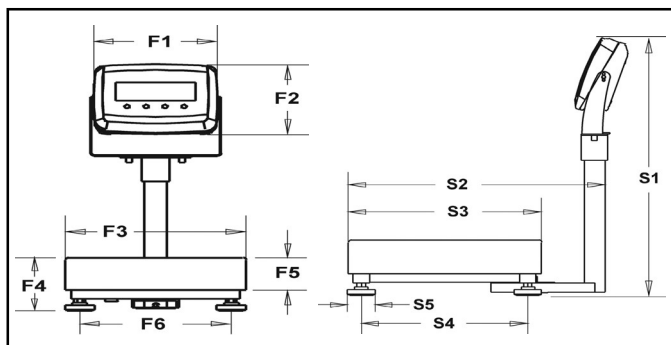
Features

Indicator housing with internal rib reinforcements, reversible front/rear cover, built-in RS232C with manual/continuous/interval printing, hardware configuration lockout switch, internal lead-acid rechargeable battery and AC adapter. Software included for parts counting mode with selectable sample sizes, selectable span calibration points, averaging level, auto-zero tracking, battery saving auto-off, Geo Code geographical gravity calibration adjustment and software menu lockouts.

Accessories

Call OHAUS for information on wheel kit, USB and Ethernet adapters, printer and cable accessories

Outline Dimensions



Compliance

- Markings: CE, UL_{us}
- Metrology: NTEP Certificate of Conformance 08-066 for Indicator, 08-021 for Bases; Measurement Canada Notice of Approval AM-5713C for Indicator, AM-5667 for Bases

- Product Safety: EN 60950-1; UL 60950-1; CSA C22.2 60950-1

- Electromagnetic Compatibility: EN 61326-1 Class B, Basic environments; FCC Part 15 Class A; ICES-003 Class A



Sales@MRMmetrology.com

Tel. 905 595 1000

www.MRMmetrology.com