



More information on the website  
[radwag.com/en/info,w1,APQ](http://radwag.com/en/info,w1,APQ)

# AS 310.R2 PLUS Analytical Balance



The drawings, photos and graphics used are for illustrative purposes only.

## Functions



Autotest



Dosing



Percent Weighing



Totalizing



Parts counting



Peak hold



Newton unit measurement



Statistics



Checkweighing



Under-pan weighing



GLP Procedures



Animal weighing



Density determination

## Datasheet

Metrological parameters	
Maximum capacity [Max]	310 g
Minimum load	10 mg
Readability [d]	0.1 mg
Verification unit [e]	1 mg
Tare range	-310 g
Standard repeatability [5% Max]	0.08 mg

Metrological parameters	
Standard repeatability [Max]	0.12 mg
Standard minimum weight (USP)	160 mg
Standard minimum weight (U=1%, k=2)	16 mg
Permissible repeatability [5% Max]	0.12 mg
Permissible repeatability [Max]	0.15 mg
Linearity	±0.3 mg
Stabilization time	2.5 s
Adjustment	internal (automatic)
OIML Class	I

Physical parameters	
Leveling system	manual
Display	LCD (backlit)
Weighing chamber doors	manual
Delivery components	Balance, weighing pan, weighing pan shield, bottom cover, power supply.
Weighing pan dimensions	ø100 mm
Packaging dimensions	490×400×520 mm
Net weight	7.01 kg
Gross weight	9 kg

Construction	
Protection class	IP 43

Communication interface	
Communication interface	2×RS232 <sup>1</sup> , 2×USB-A (interchangeable), USB-B, Wi-Fi (option)

Electrical parameters	
Power supply	Adapter: 100 – 240V AC 50/60Hz 0.6A; 12V DC 1.2A Balance: 12 – 15V DC 0.4A max
Power consumption max.	3 W

Environmental conditions	
Operating temperature	+10 ÷ +40 °C
Relative humidity	40% ÷ 80%

Repeatability is expressed as a standard deviation from 10 weighing cycles.

Stabilization time depends on the ambient conditions and the dynamics of weighing pan loading; specified for FAST profile.

<sup>1</sup> Barcode scanners, available as weighing instrument accessory, communicate with the instrument via RS232 interface exclusively.

\* Wi-Fi® is a registered trademark of Wi-Fi® Alliance.



Extra payment for verification



## Accessories

Antivibration Tables  
 Holders for laboratory flasks  
 Power Adapters

RS 232, RS 485 cables  
 Displays  
 Protective cover for balances

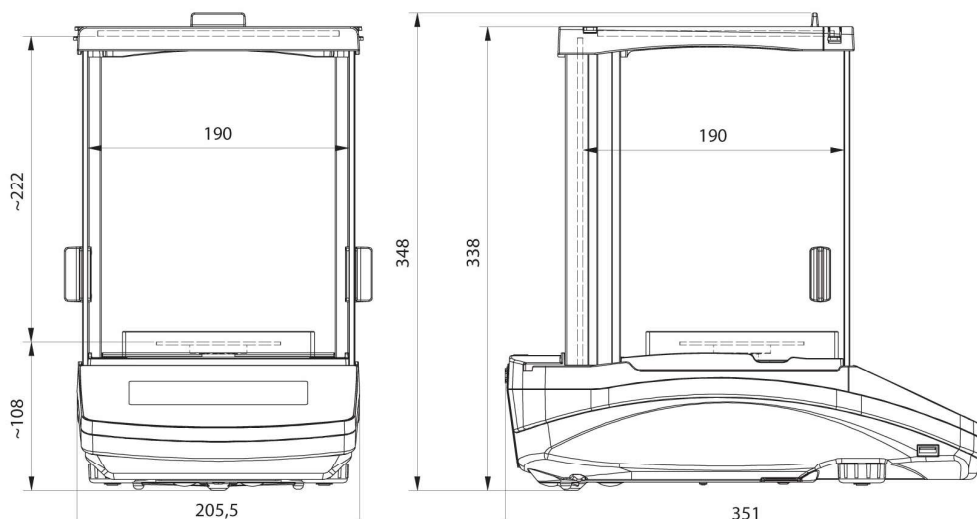
Cigarette lighter receptacle power supply cables  
Density determination KIT  
USB cable (scale - printer)  
Professional Weighing Tables  
Barcode scanners  
Holders for test tubes and filters  
Workstation for Pipettes Calibration

Weighing dishes  
Antistatic ionizer  
Receipt Printer  
RS 232, RS 485 cables  
Under-pan weighing  
RS 232 cables (scale - printer)

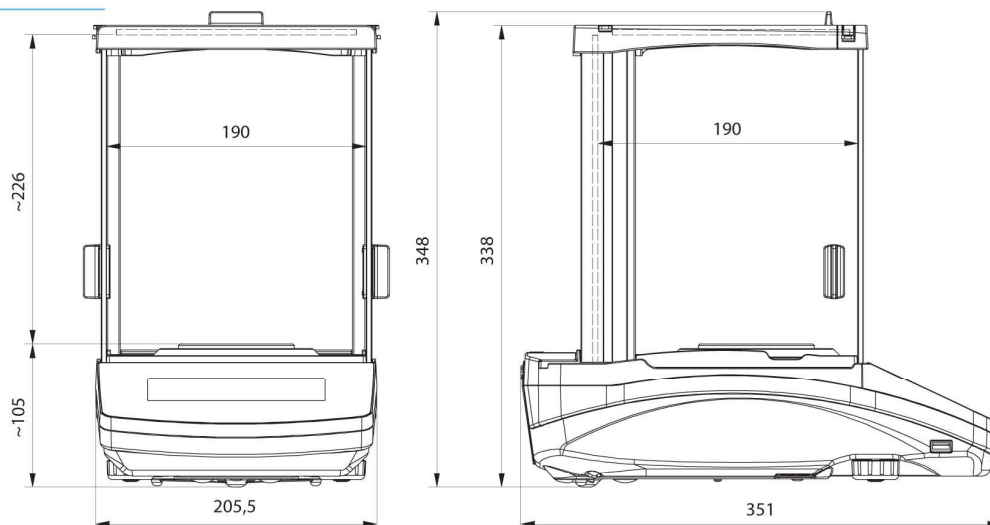
## Software

- RAD Key [WX-010-0005]
- Alibi Reader [WX-010-0114]
- RADWAG Development Studio [WX-010-0104]
- R-Panel [WX-010-0187]
- R-Lab [WX-010-0080]

## Device dimensions



AS R2, d = 0.01 mg



AS R2, AS R1 d = 0.1 mg

