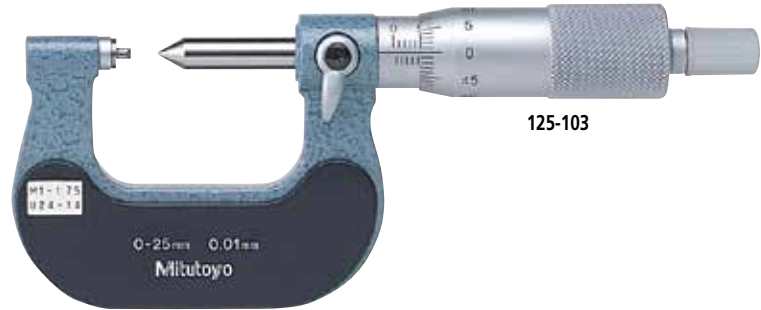


# Screw Thread Micrometers

## SERIES 125

### FEATURES

- Provided with a 60 degree V-anvil and conical spindle for easily measuring pitch diameters of metric or unified screw threads.
- With ratchet stop for constant force.
- With a standard bar for zero point adjustment except 0 - 25mm model.
- Supplied in fitted plastic case.



### Technical Data

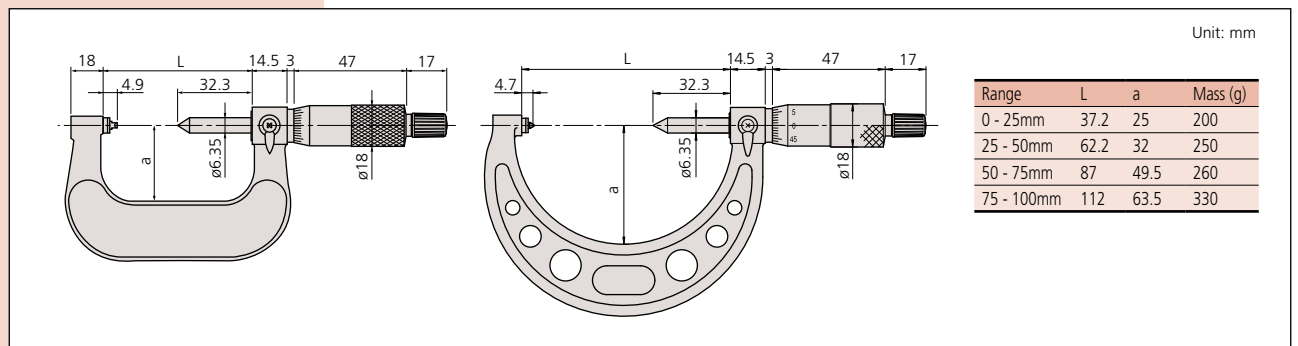
Accuracy:  $\pm(2+R/75)\mu\text{m}$ , R=max. range (mm)  
 Graduation: 0.01mm  
 Spindle feed error: 3 $\mu\text{m}$



### SPECIFICATIONS

Metric			
Range	Graduation	Order No.	Screw to be measured (Metric/Unified)
0 - 25mm	0.01mm	<b>125-101</b>	0.4 - 0.5mm/64 - 48TPI
		<b>125-102</b>	0.6 - 0.9mm/44 - 28TPI
		<b>125-103</b>	1 - 1.75mm/24 - 14TPI
		<b>125-104</b>	2 - 3mm/13 - 9TPI
		<b>125-105</b>	3.5 - 5mm/8 - 5TPI
25 - 50mm	0.01mm	<b>125-106</b>	0.4 - 0.5mm/64 - 48TPI
		<b>125-107</b>	0.6 - 0.9mm/44 - 28TPI
		<b>125-108</b>	1 - 1.75mm/24 - 14TPI
		<b>125-109</b>	2 - 3mm/13 - 9TPI
		<b>125-110</b>	3.5 - 5mm/8 - 5TPI
50 - 75mm	0.01mm	<b>125-111</b>	0.6 - 0.9mm/44 - 28TPI
		<b>125-112</b>	1 - 1.75mm/24 - 14TPI
		<b>125-113</b>	2 - 3mm/13 - 9TPI
		<b>125-114</b>	3.5 - 5mm/8 - 5TPI
		<b>125-115</b>	5.5 - 7mm/4.5 - 3.5TPI
75 - 100mm	0.01mm	<b>125-116</b>	0.6 - 0.9mm/44 - 28TPI
		<b>125-117</b>	1 - 1.75mm/24 - 14TPI
		<b>125-118</b>	2 - 3mm/13 - 9TPI
		<b>125-119</b>	3.5 - 5mm/8 - 5TPI
		<b>125-120</b>	5.5 - 7mm/4.5 - 3.5TPI

### DIMENSIONS AND MASS



# Screw Thread Micrometers

**SERIES 326, 126 — Interchangeable Anvil-Spindle Tip Type**



## FEATURES

- IP65 water/dust protection (Series 326).
- 60 degree or 55 degree V-anvil and conical spindle (interchangeable) are optional, which are made of high-grade steel, hardened and precision ground.
- With ratchet stop for constant force.
- With SPC output (Series 326).
- With a standard bar except 0 - 25mm and 0 - 1" model.
- Supplied in fitted plastic case.
- Non-slip grip finish (digital models).



**126-125**  
Shown with optional anvils



**326-351-30**  
**IP65**

## SPECIFICATIONS

Metric		Digital model		
Range	Resolution	Order No.	Accuracy	Mass (g)
0 - 25mm	0.001mm	<b>326-251-30</b>	±4µm	350
25 - 50mm	0.001mm	<b>326-252-30</b>	±4µm	380
50 - 75mm	0.001mm	<b>326-253-30</b>	±4µm	470
75 - 100mm	0.001mm	<b>326-254-30</b>	±5µm	510

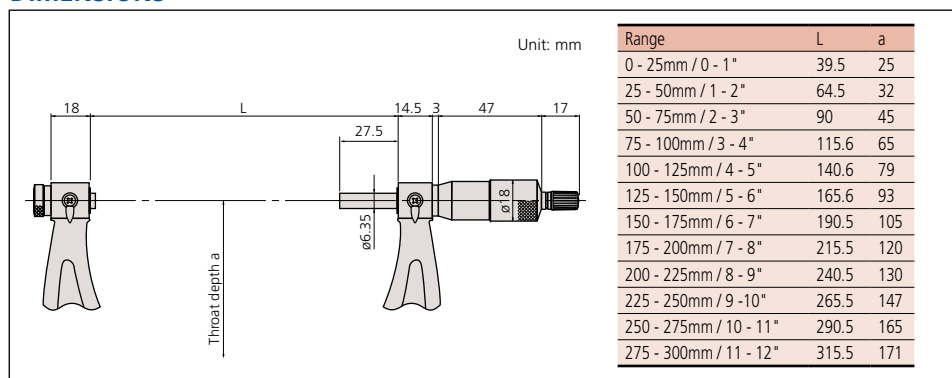
Inch/Metric		Digital model		
Range	Resolution	Order No.	Accuracy	Mass (g)
0 - 1" / 0 - 25.4mm	.00005" / 0.001mm	<b>326-351-30</b>	±.0002"	350
1 - 2" / 25.4 - 50.8mm	.00005" / 0.001mm	<b>326-352-30</b>	±.0002"	380
2 - 3" / 50.8 - 76.2mm	.00005" / 0.001mm	<b>326-353-30</b>	±.0002"	470
3 - 4" / 76.2 - 101.6mm	.00005" / 0.001mm	<b>326-354-30</b>	±.00025"	510

Metric				
Range	Graduation	Order No.	Accuracy	Mass (g)
0 - 25mm	0.01mm	<b>126-125</b>	±4µm	240
25 - 50mm	0.01mm	<b>126-126</b>	±4µm	290
50 - 75mm	0.01mm	<b>126-127</b>	±4µm	390
75 - 100mm	0.01mm	<b>126-128</b>	±5µm	450
100 - 125mm	0.01mm	<b>126-129</b>	±5µm	530
125 - 150mm	0.01mm	<b>126-130</b>	±5µm	620
150 - 175mm	0.01mm	<b>126-131</b>	±6µm	730
175 - 200mm	0.01mm	<b>126-132</b>	±6µm	860
200 - 225mm	0.01mm	<b>126-133</b>	±6µm	1,030
225 - 250mm	0.01mm	<b>126-134</b>	±7µm	1,200
250 - 275mm	0.01mm	<b>126-135</b>	±7µm	1,370
275 - 300mm	0.01mm	<b>126-136</b>	±7µm	1,540

Inch				
Range	Graduation	Order No.	Accuracy	Mass (g)
0 - 1"	.001"	<b>126-137</b>	±.0002"	240
1 - 2"	.001"	<b>126-138</b>	±.0002"	290
2 - 3"	.001"	<b>126-139</b>	±.0002"	390
3 - 4"	.001"	<b>126-140</b>	±.00025"	450
4 - 5"	.001"	<b>126-141</b>	±.00025"	530
5 - 6"	.001"	<b>126-142</b>	±.00025"	620
6 - 7"	.001"	<b>126-143</b>	±.0003"	730

Inch With anvil set (126 - 800)				
Range	Graduation	Order No.	Accuracy	Mass (g)
0 - 1"	.001"	<b>126-901</b>	±.0002"	240
1 - 2"	.001"	<b>126-902</b>	±.0002"	290
2 - 3"	.001"	<b>126-903</b>	±.0002"	390
3 - 4"	.001"	<b>126-904</b>	±.00025"	450
4 - 5"	.001"	<b>126-905</b>	±.00025"	530
5 - 6"	.001"	<b>126-906</b>	±.00025"	620

## DIMENSIONS



## Technical Data

Resolution\*: 0.001mm or .00005"/0.001mm  
 Graduation\*\*: 0.01mm or .001"  
 Spindle feed error: 3µm / .00012"  
 Display\*: LCD  
 Battery\*: SR44 (1 pc.), **938882**  
 Battery life\*: Approx. 2.4 years under normal use  
 Dust/Water protection level\*: IP65  
 \*Digital models \*\*Analog models

## Function of Digital Model

Zero / ABS, Data hold, Data output, 2 Presets, Function Lock.  
 inch/mm conversion (on inch/metric models only)  
 Alarm: Low voltage, Counting value composition error

## Optional Accessories

**05CZA662**: SPC cable with data switch (1m / 40")\*  
**05CZA663**: SPC cable with data switch (2m / 80")\*  
 \*Only for digital models  
 (See page B-51.): Standard for screw thread micrometer



Anvil-spindle tip set:

Applications	Set Order No.	Tip Information		
		Threads Per Inch	Pitch (mm)	Individual Order No.
Metric Screw, Unified screw (60° threads)	<b>126-800</b>	64-48 (M1)	0.4-0.5	<b>126-801</b>
		44-28 (M2)	0.6-0.9	<b>126-802</b>
		24-14 (M3)	1-1.75	<b>126-803</b>
		13-9 (M4)	2-3	<b>126-804</b>
		8-5 (M5)	3.5-5	<b>126-805</b>
		4.5-3.5 (M6)	5.5-7	<b>126-806</b>
Whitworth Screw (55° threads)	<b>126-810</b>	60-48	-	<b>126-811</b>
		48-40	-	<b>126-812</b>
		40-32	-	<b>126-813</b>
		32-24	-	<b>126-814</b>
		24-18	-	<b>126-815</b>
		18-14	-	<b>126-816</b>
		14-10	-	<b>126-817</b>
		10-7	-	<b>126-818</b>
		7-4.5	-	<b>126-819</b>
		4.5-3.5	-	<b>126-820</b>

Features: 60 degree or 55 degree V-anvil and conical spindle (interchangeable) are optional, which are made of high-grade special steel, hardened and precision ground.  
 Storage box included.