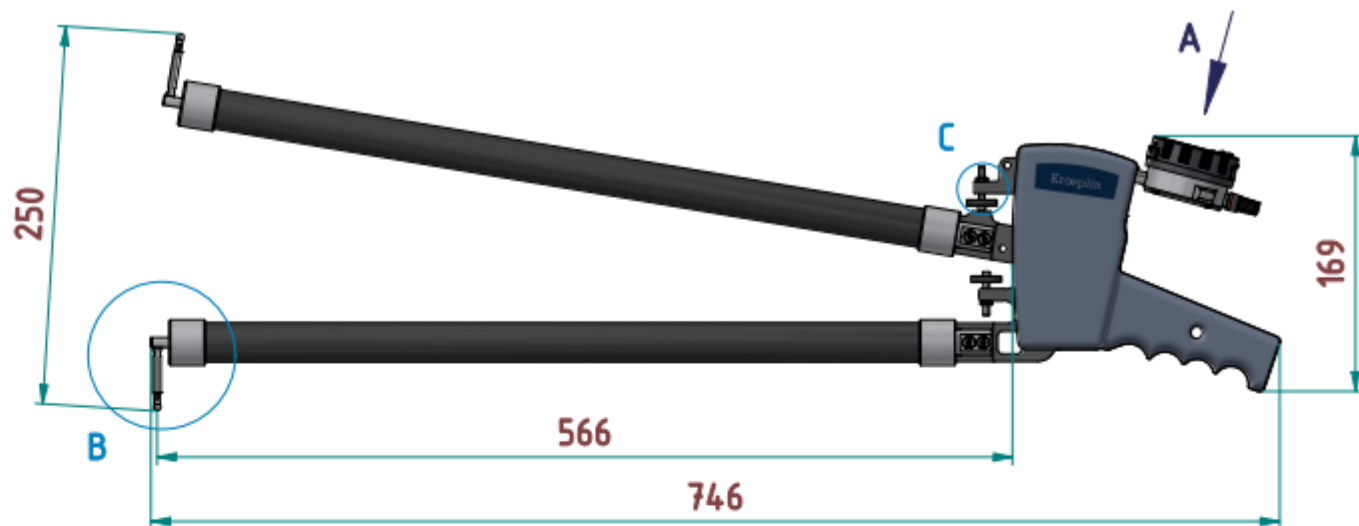
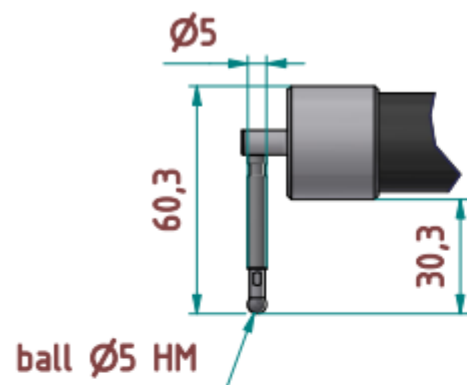
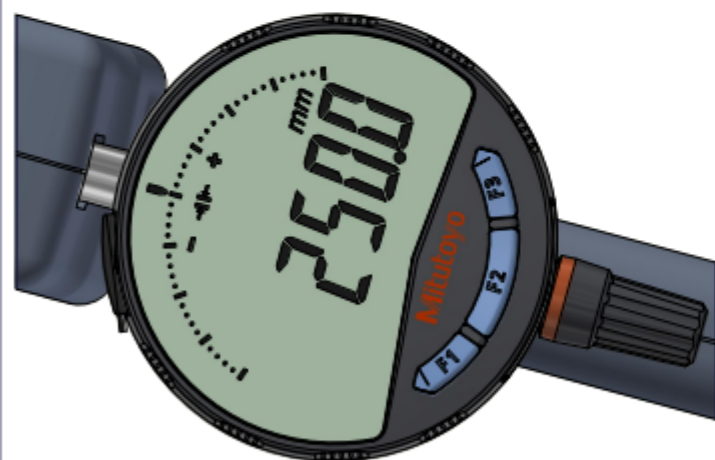


B (1:2)



A (1:1)



ADJUSTABLE STOPPER



C (1:2)

***) MEASURING FORCE IF THE GAUGE IS HELD IN MEASURING POSITION AS SHOWN ABOVE**

subject to technical alterations

type: Modul 2
 range: 150 - 250 mm
 range of indication: 149 - 251 mm
 digital step: 0,1 mm
 scale interval: -
 measuring force: 1,0 - 1,5 N *)
 weight: 920 g

acceptable deviations
 VDI/VDE/ISO 2618 Bl. 12.1/13.1)
 max. permissible errors "G": 0,3 mm
 repeatability "r": 0,1 mm
 reference temperature: 20° C
 operation temperature: 10° C - 30° C
 storage temperature: -10° C - 50° C

scale: 1:5 (1:2; 1:1)
 drawing-nr.: DAB-G12150_KR_e
 date of issue: 27.03.2015
 name: J.Röder
 revision status: 2300 (BSc)
 revision date: 26.04.2023