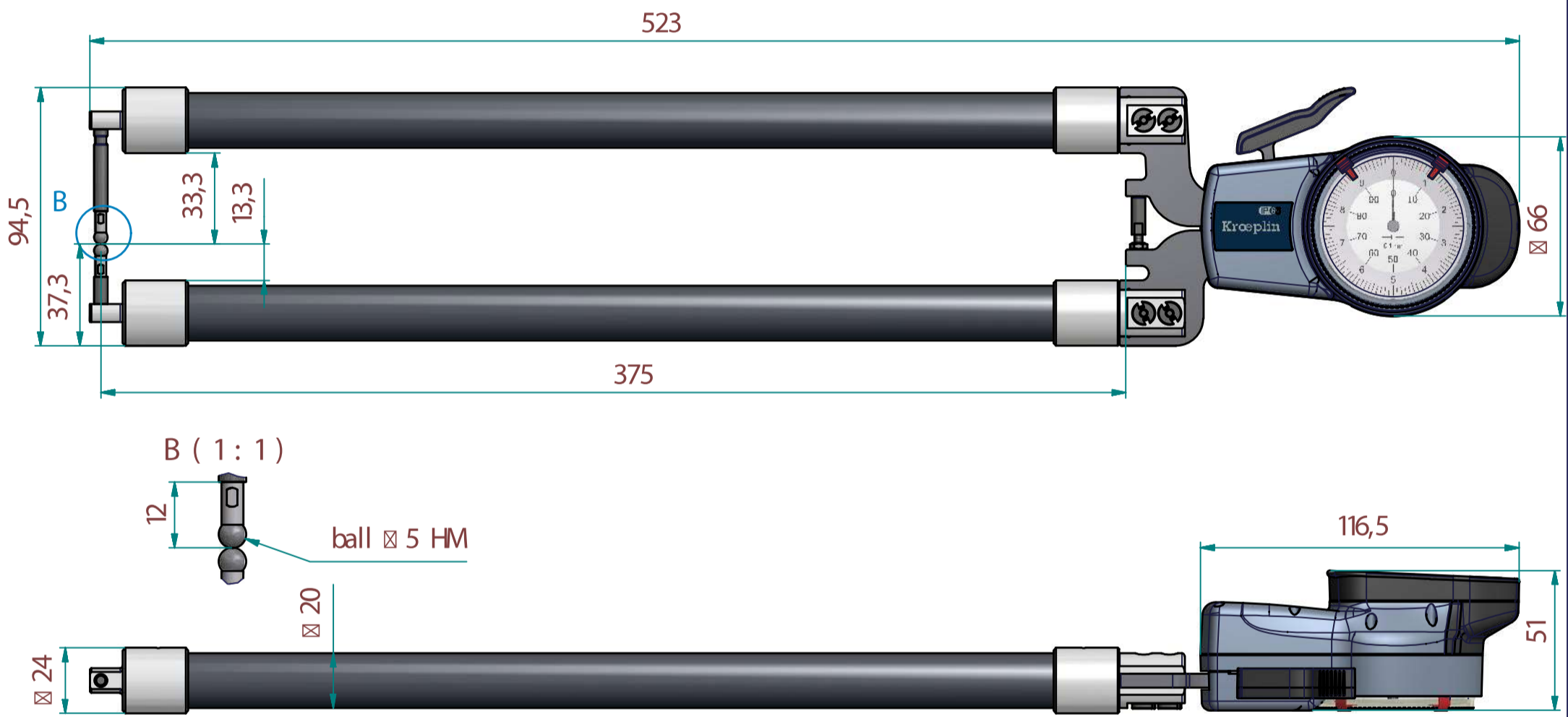


data sheet: D8R100



subject to technical alterations

type: M200
range: 0 - 100 mm
range of indication: 0 - 101 mm
digital step:
scale interval: 0,1 mm
measuring force: 0,8 - 1,8 N
weight: 600 g

acceptable deviations
 VDI/VDE/DGQ 2618 Bl. 12.1/13.1)
max. permissible errors "G": 0,15 mm
repeatability "r": 0,10 mm
reference temperature: 20° C
operation temperature: 10° C - 30° C
storage temperature: -10° C - 50° C

scale: 1 : 2
drawing-nr.: DAB-D8R100_KR_en
date of issue: 12.04.2013
name: Lange
revision status: 2121 / MHe
revision date: 26.08.2015