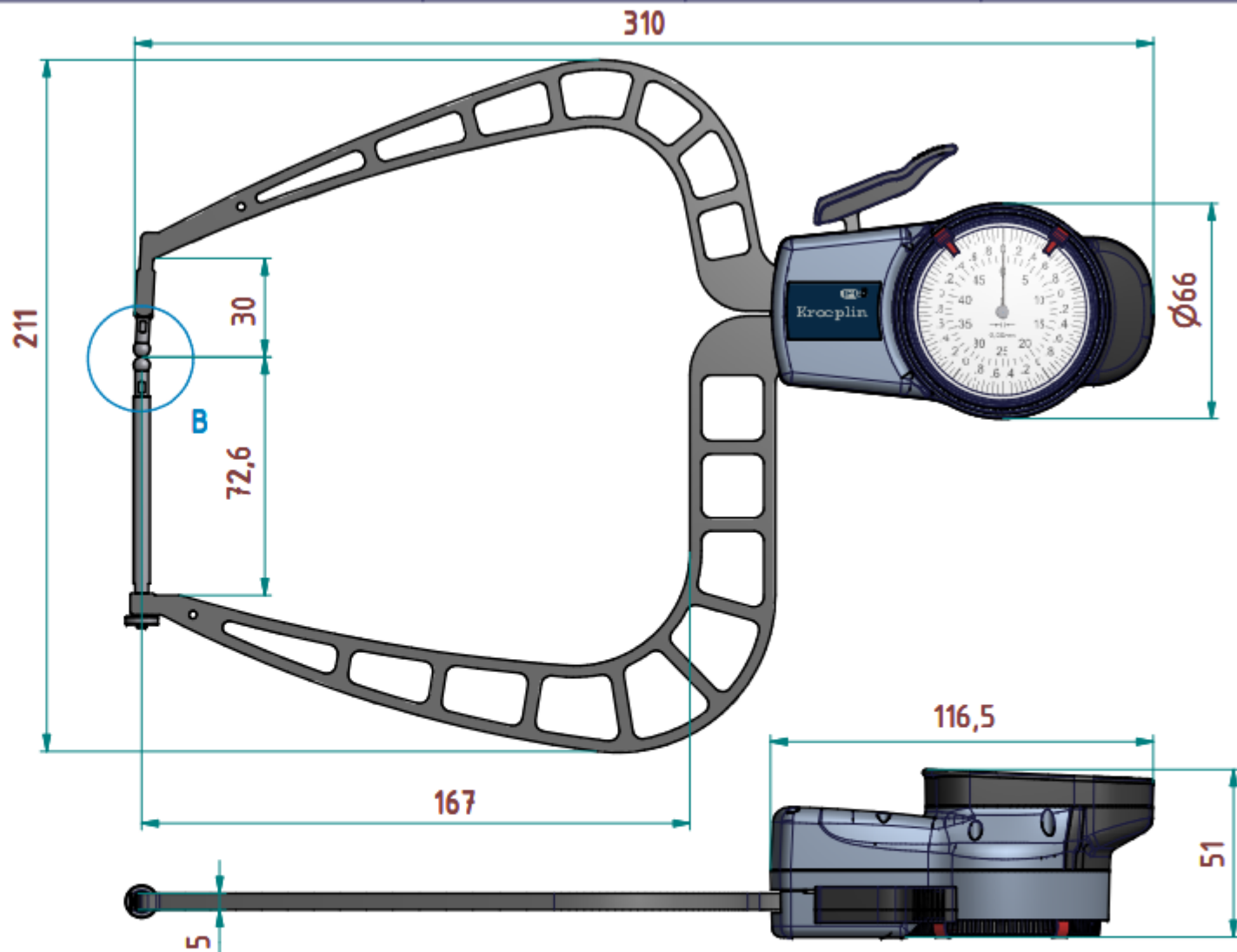
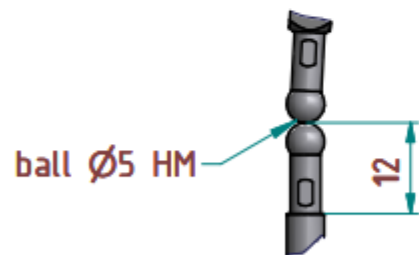




B (1:1)



subject to technical alterations

type: M200
 range: 0 - 50 mm
 range of indication: 0 - 50,5 mm
 digital step:
 scale interval: 0,050 mm
 measuring force: 0,8 - 1,7 N
 weight: 450 g

acceptable deviations
 VDI/VDE/DGQ 2618 Bl. 12.1/13.1)
 max. permissible
 errors "G": 0,075 mm
 repeatability "r": 0,050 mm
 reference temperature: 20° C
 operation temperature: 10° C - 30° C
 storage temperature: -10° C - 50° C

scale: 1 : 2
 drawing-nr.: DAB-D450F_KR_en
 date of issue: 12.04.2013
 name: Lange
 revision status:
 revision date: