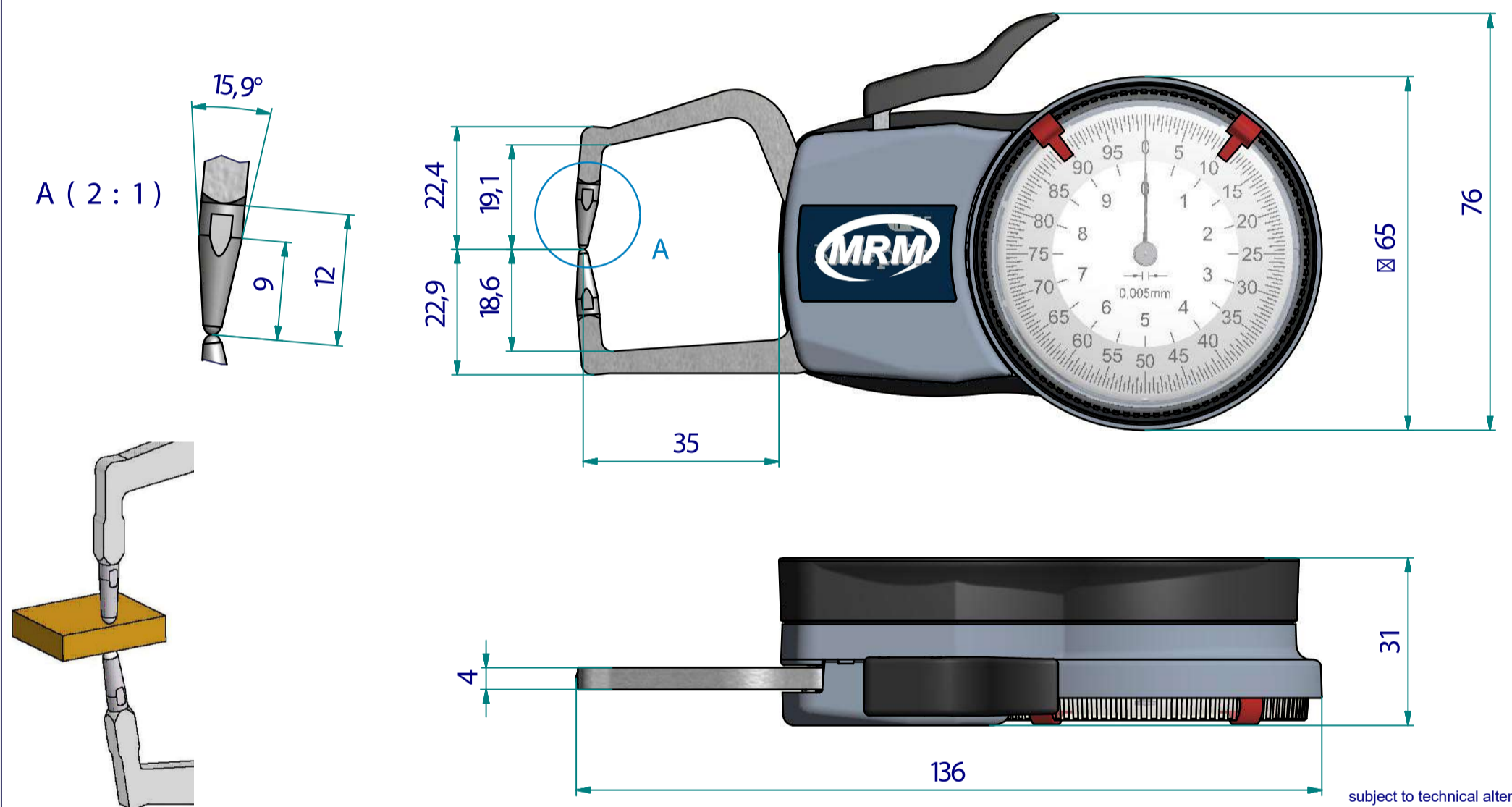


data sheet: D110



subject to technical alterations

type: D
range: 0 - 10 mm
range of indication: 0 - 10,5 mm
digital step: -
scale interval: 0,005 mm
measuring force: 1,2 - 1,6 N
weight: 170 g

acceptable deviations
 VDI/VDE/DGQ 2618 Bl. 12.1/13.1)
max. permissible errors "G": 0,015 mm
repeatability "r": 0,005 mm
reference temperature: 20° C
operation temperature: 10° C - 30° C
storage temperature: -10° C - 50° C

scale: 1:1
drawing-nr.: DAB-D110_KR_e
date of issue: 08.01.09
name: T.Koenig

revision status: 2000
revision date: 03.09.2012