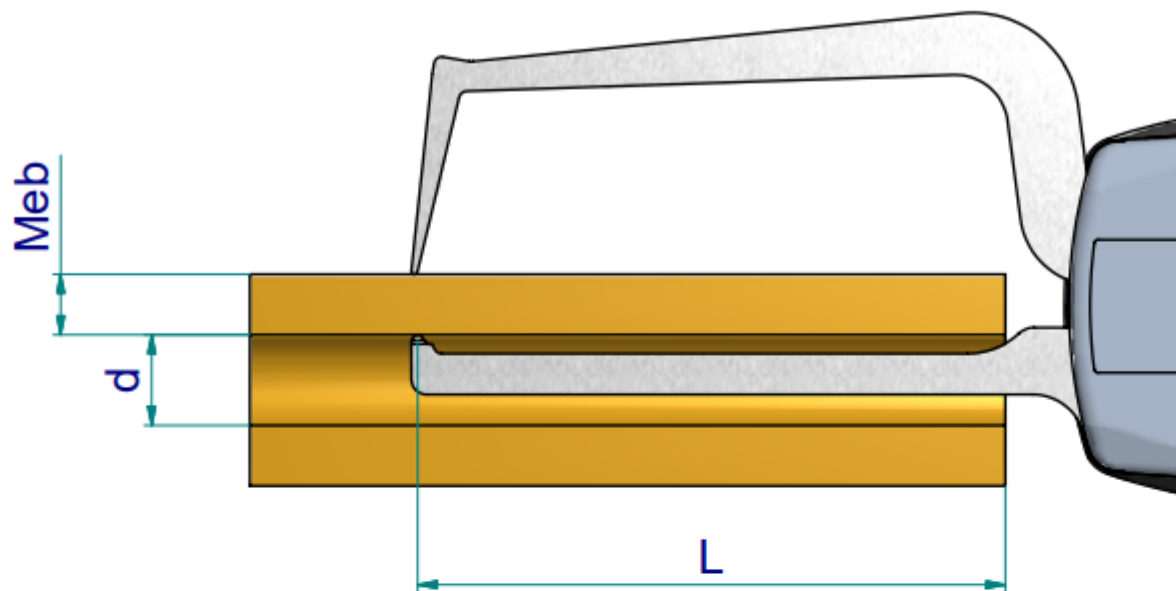


subject to technical alterations

type: D
 range: 0 - .80 INCH
 range of indication: 0 - .82 INCH
 digital step: -
 scale interval: .0005 INCH
 measuring force: 1,1 - 1,6 N
 weight: 200 g

acceptable deviations
 VDI/VDE/DGQ 2618 Bl. 12.1/13.1)
 max. permissible
 errors "G": .0015 INCH
 repeatability "r": .0005 INCH
 reference temperature: 20° C
 operation temperature: 10° C - 30° C
 storage temperature: -10° C - 50° C

scale: 1:1
 drawing-nr.: DAB-D7R20S_KR_I
 date of issue: 14.01.09
 name: T.Koenig
 revision status:
 revision date:



measuring capacity

internal diameter

d [INCH]

		measuring range Meb [INCH]									
		.02	.08	.16	.24	.31	.39	.47	.59	.71	.79
.35		1.61	.76	.69	.73	.83	1.01	1.32	2.59	3.12	3.08
.39		3.26	1.62	1.46	1.55	1.76	2.14	2.79	3.16	3.12	3.08
.43		3.34	2.48	2.23	2.36	2.70	3.18	3.17	3.16	3.12	3.08
.47		3.36	3.26	3.00	3.18	3.20	3.18	3.17	3.16	3.12	3.08
.51		3.36	3.33	3.28	3.23	3.20	3.18	3.17	3.16	3.12	3.08
> .55		3.36	3.37	3.28	3.23	3.20	3.18	3.17	3.16	3.12	3.08
L											

L = maximum usable arm length [INCH] Example:
d = .43 Meb = .16 L = 2.23

subject to technical alterations

drawing-nr.: DAB-D7R20S_KR_I
 date of issue: 14.01.09
 name: T.Koenig
 revision status:
 revision date: