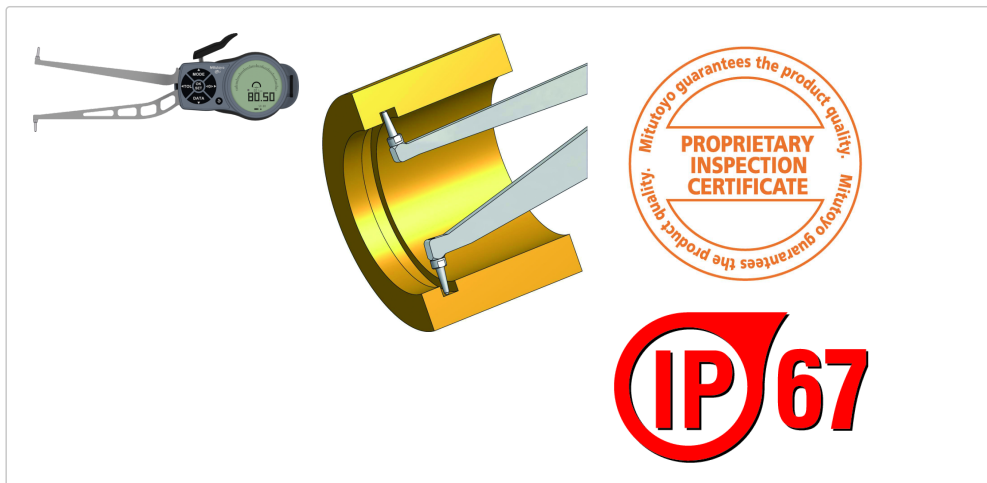


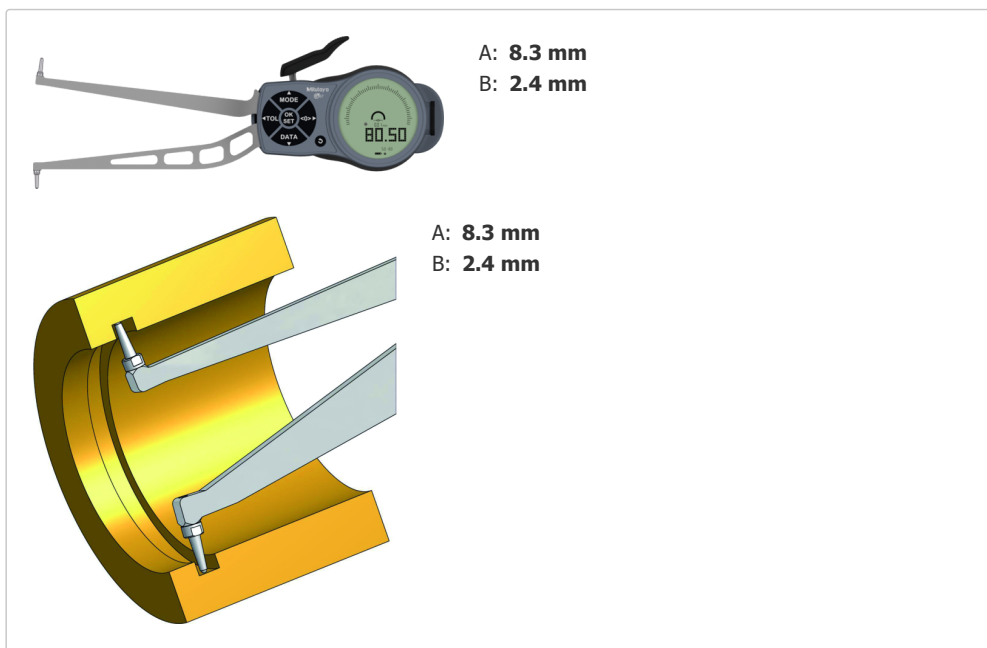
Mitutoyo

Internal Digital Caliper Gauge

Item number: 209-947



Images



Description

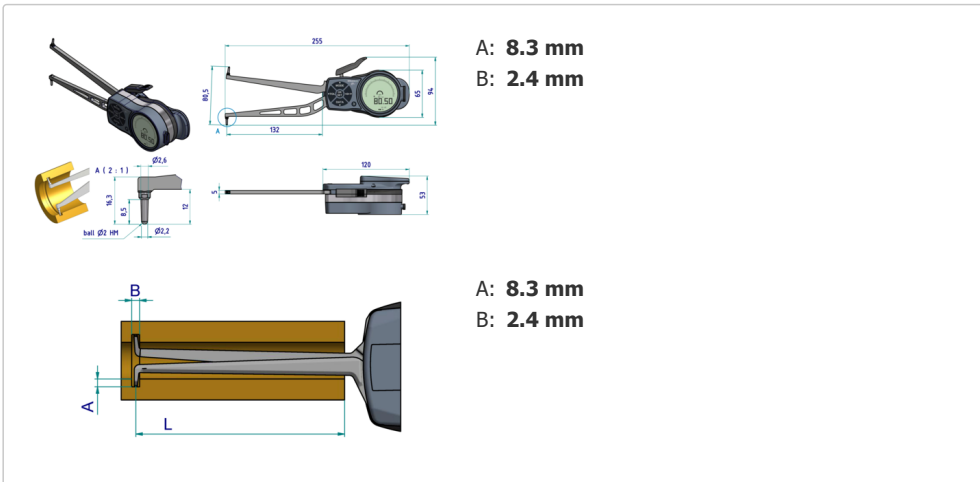
- Digital Caliper Gauge enables measurements in hard-to-reach places
- Excellent resistance against water and dust IP67 level

Features

Digital/Analog:	Digital
Functions:	Measuring contacts: carbide ball Ø 2 mm
Range:	50 - 80 mm
Accuracy:	0,04 mm
Digital step:	0,001 / 0,002 / 0,005 / 0,01 / 0,02 / 0,05 mm
Protection:	IP67
Mass:	370 g
Power supply:	2.0 batteries LR3.0 (AAA)
Auto Power OFF after 1/5/10 min. non use:	YES

OFFSET:	Yes
Type:	Fig. 3
mm/inch conversion:	Yes
HOLD:	Yes
L:	132 mm
SET key:	Yes
DATA key:	Yes
DATA-Logger (100 measured values):	Yes
ABS/INC switchable:	Yes
Max. reading:	Yes
Min. reading:	Yes
Tolerance LED (green/red):	Yes
Tolerance judgement:	Yes

Dimensions



Accessories

Optional accessories:



Digimatic Interface Series 209

Digital Caliper Gauge

011551

Suggested retail price: **79.00 €***



Digimatic Cable, Round 6-Pin Type

1m

937387

Suggested retail price: **58.00 €***



Digimatic Cable, Round 6-Pin Type

2m

965013

Suggested retail price: **70.00 €***



USB Input Tool Direct (Digimatic USB)

Digi/Digi2, Round 6-Pin Type

06AFM380E

Suggested retail price: **121.00 €***



U-WAVE-T, Buzzer Type

Wireless Transmitter

02AZD880G

Suggested retail price: **183.00 €***



**U-WAVE-T, IP67 Type
Wireless Transmitter**
02AZD730G

Suggested retail price: **183.00 €***



**U-WAVE-T Connection Cable E
Round 6-Pin Type**
02AZD790E

Suggested retail price: **96.00 €***



**Holder for Digital Caliper Gauge
for 209-930 up to 209-958**
63AAA438

Suggested retail price: **165.00 €***

Spare parts

Consumable spares:



Battery LR03 (AAA)
4x
011511-1