



Series FS06 force sensors measure tension and compression forces. Designed to accommodate bulkier grips and fixtures, they are compatible with Series F test frame models up to 500 lbF / 2.2 kN.

With Plug & Test® technology, all configuration and calibration data is saved within the sensor, allowing it to be calibrated on the test frame or off-site with a Mark-10 indicator (optional adapter AC1083 required).

Ranges are available from 50 to 500 lbF [250 N to 2.5 kN].

Compatible with Models F105, F305, F505, and F505H.

Specifications

Accuracy:	± 0.15% of full scale + indicator or test frame
Safe Overload:	150% of full scale
Weight:	FS06-50 - FS06-200: 1.7 lb [0,8 kg] FS06-300 - FS06-500: 1.9 lb [0,9 kg]

Features



Series FS06 sensors are suitable for bulkier grips and fixtures, such as the G1095 bend fixture and eye end adapter shown here.

Mark-10 Corporation
11000 American Corporate Dr. • 11759 USA • Tel: 815-832-9300 • Email: sales@mark-10.com

CERTIFICATE OF CALIBRATION
LOW FORM

MODEL NO. 105-100 RELATIVE HUMIDITY (%) 27%
SERIAL NO. 320200 TEMPERATURE (°C) 73.5 F
CAPACITY 100 LB.F TOLERANCE CLASS A A
INDICATOR 100 LB.F RESOLUTION 0.02

READING NUMBER	MASTER FORCE (LBS)	TESTING FORCE (LBS)	ERROR (%)	COE. OF VARIATION (%)	GRADE
1	10.00	10.00	0.02	0.10	10
2	20.00	20.00	0.02	0.10	10
3	30.00	30.00	0.02	0.10	10
4	40.00	40.04	0.04	0.10	10
5	50.00	50.04	0.04	0.10	10
6	60.00	60.04	0.04	0.10	10
7	70.00	70.00	0.00	0.10	10
8	80.00	80.00	0.00	0.10	10
9	90.00	90.00	0.00	0.10	10
10	100.00	100.00	0.00	0.10	10

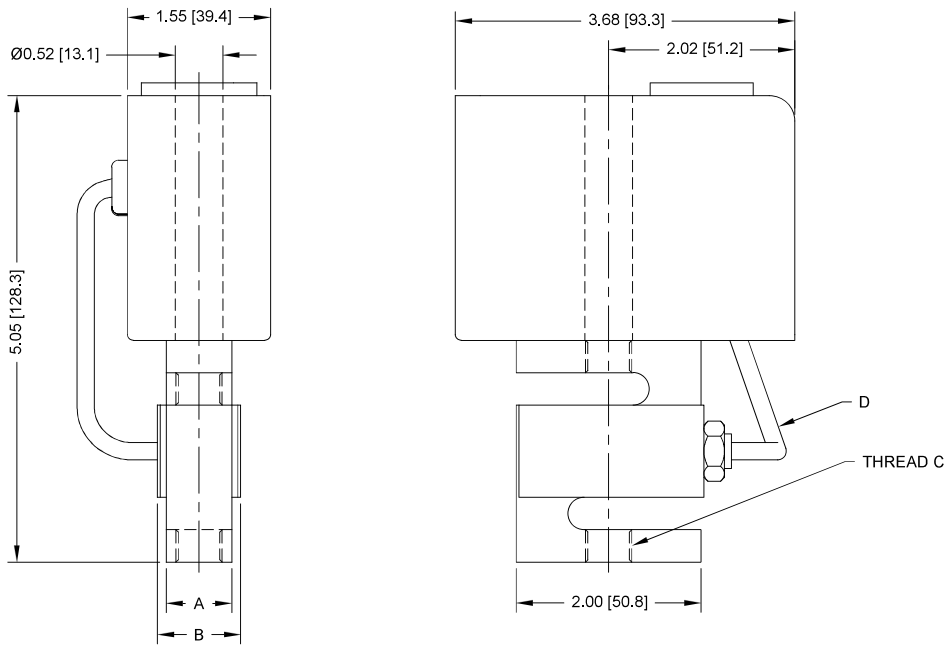
MARK-10 CORPORATION

DATE: 11/14/2014 BY: [Signature]

70714-0201 70714-0202 70714-0203 70714-0204 70714-0205 70714-0206
70714-0207 70714-0208 70714-0209 70714-0210 70714-0211

Included certificate of calibration contains 10 data points in each measuring direction.

Dimensions in [mm]



Model No.	A	B	THREAD C	D
FS06-50				
FS06-100	0,46 [11.7]	0,71 [18.0]	1/4-28 UNF	6 [152.4]
FS06-200				
FS06-300	0,9 [22.6]	1,1 [27.9]	1/2-20 UNF	
FS06-500				

In The Box

Series FS06 are shipped as shown below:

FS06-50 - FS06-200

- (1) Force Sensor
- (1) 1/4-28 x 3 3/4" Screw
- (1) 1/4" Washer
- (1) 1/4-28 Bushing



FS06-300 - FS06-500

- (1) Force Sensor
- (1) 1/2-20 x 3 3/4" Screw
- (1) 1/2" Washer



Capacity x Resolution

Model No.	lbF	ozF	gF	kgF	N	kN	mN
FS06-50	50 x 0.02	800 x 0.5	25000 x 10	25 x 0.01	250 x 0.1	-	-
FS06-100	100 x 0.05	1600 x 1	50000 x 20	50 x 0.02	500 x 0.2	-	-
FS06-200	200 x 0.1	3200 x 2	-	100 x 0.05	1000 x 0.5	1 x 0.0005	-
FS06-300	300 x 0.1	4800 x 2	-	150 x 0.05	1500 x 0.5	1.5 x 0.0005	-
FS06-500	500 x 0.2	8000 x 5	-	250 x 0.1	2500 x 1	2.5 x 0.001	-

Tel. 905 595 1000

Sales@MRMmetrology.com

Service@MRMmetrology.com

www.MRMmetrology.com