

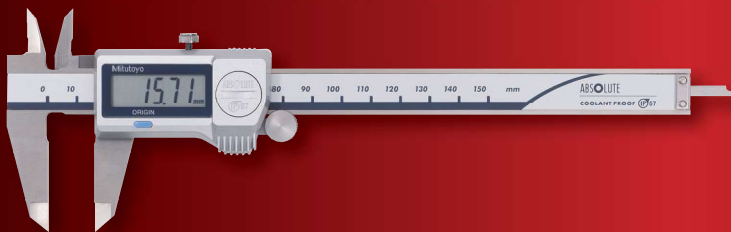
IP67 ABSOLUTE Coolant-Proof Caliper



For use in environments with heavy exposure to coolants.



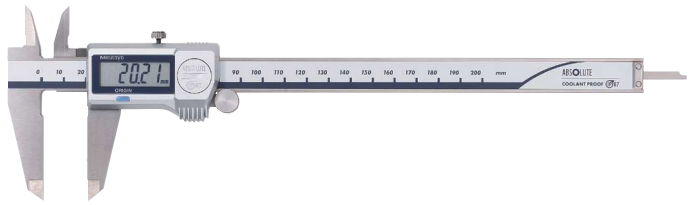
Small Tool Instruments and Data Management



- Patent registered in Japan, U.S.A., China, Germany, U.K., France, Switzerland, and India.
- Design pending application in Japan, U.S.A., EU member nations, and China.



IP67 ABSOLUTE Coolant-Proof Caliper



Features

- ABS coolant-proof caliper with dust/water protection conforming to IP67 Level. Can be used in workshop conditions exposed to coolant, water, dust or oil. 100% air-leak test ensures every caliper conforms to IP67.
 - Display readings increased 22% for improved visibility.
 - Easy removal of battery cap.
 - Extended battery life of 5 years
 - Easy to use — advanced ergonomic design uses only 1 button.*
- * 2 buttons for in/mm models



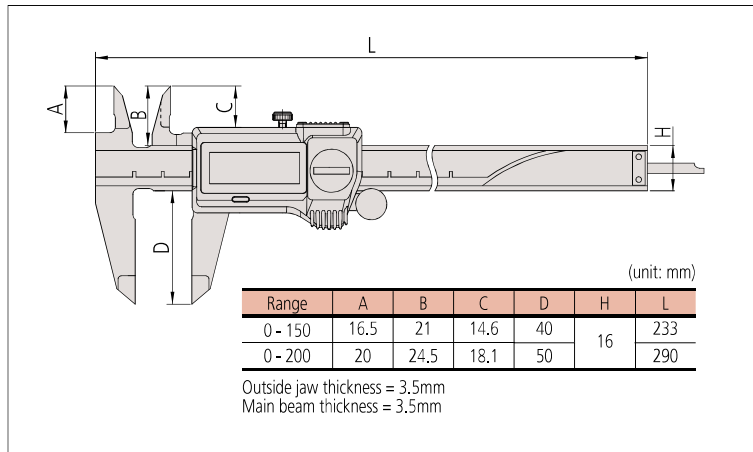
- Incorporates Mitutoyo's ABSOLUTE measurement system. No need to reset the origin.
- The automatic power-on/off function shuts down the LCD after 20 minutes of inactivity, but the ABS scale origin is unaffected. Power is restored to the display when the slider is moved.
- Stepped features can be measured.
- Can be integrated into statistical process control and measurement systems.
- A factory inspection certificate is supplied as standard.

Specifications

Metric						
Order No.	Range	Accuracy	Mass	Measurement data output port	Thumb roller	Remarks
500-702-20	0 - 150mm	±0.02mm	168g	—	✓	Depth bar ø1.9mm
500-703-20	0 - 200mm		198g			
500-712-20	0 - 150mm		168g			
500-713-20	0 - 200mm		198g			
500-719-20	0 - 150mm		168g			
500-721-20	0 - 150mm		168g			
500-722-20	0 - 200mm		198g			
500-723-20	0 - 150mm		168g			
500-724-20	0 - 200mm		198g			
						Carbide-tipped jaws for outside and inside measurement

Inch/Metric						
Order No.	Range	Accuracy	Mass	Measurement data output port	Thumb roller	Remarks
500-752-20	0 - 6"	±.001"/±0.02mm	168g	—	✓	Depth bar ø1.9mm
500-753-20	0 - 8"		198g			
500-762-20	0 - 6"		168g			
500-763-20	0 - 8"		198g			
500-768-20	0 - 6"		168g			
500-769-20	0 - 6"		168g			
500-731-20	0 - 6"		168g			
500-732-20	0 - 8"		198g			
500-733-20	0 - 6"		168g			
500-734-20	0 - 8"		198g			
500-735-20	0 - 6"	168g				
500-736-20	0 - 8"	198g				
500-737-20	0 - 6"	168g				
500-738-20	0 - 8"	198g				

Dimensions



Technical Data

- Resolution: 0.01mm or .0005"/0.01mm
- Repeatability: 0.01mm or .0005"/0.01mm
- Power supply: **SR44** (1 pc), **938882**,
- Battery life: Approx. 5 years under normal use
- Max. response speed: Unlimited

Optional accessories

Dedicated for the models equipped with digimatic output.

● Connecting cables for IT/DP/MUX

No.05CZA624: SPC cable with data button (1m)

No.05CZA625: SPC cable with data button (2m)



● USB Input Tool Direct

No.06ADV380A: SPC cable for USB-ITN-A (2m)

● Connecting cables for U-WAVE-T

No.02AZD790A: SPC cable for U-WAVE with data button (160mm)

No.02AZE140A: SPC cable for footswitch



Sales@MRMmetrology.com

Tel. 905 595 1000