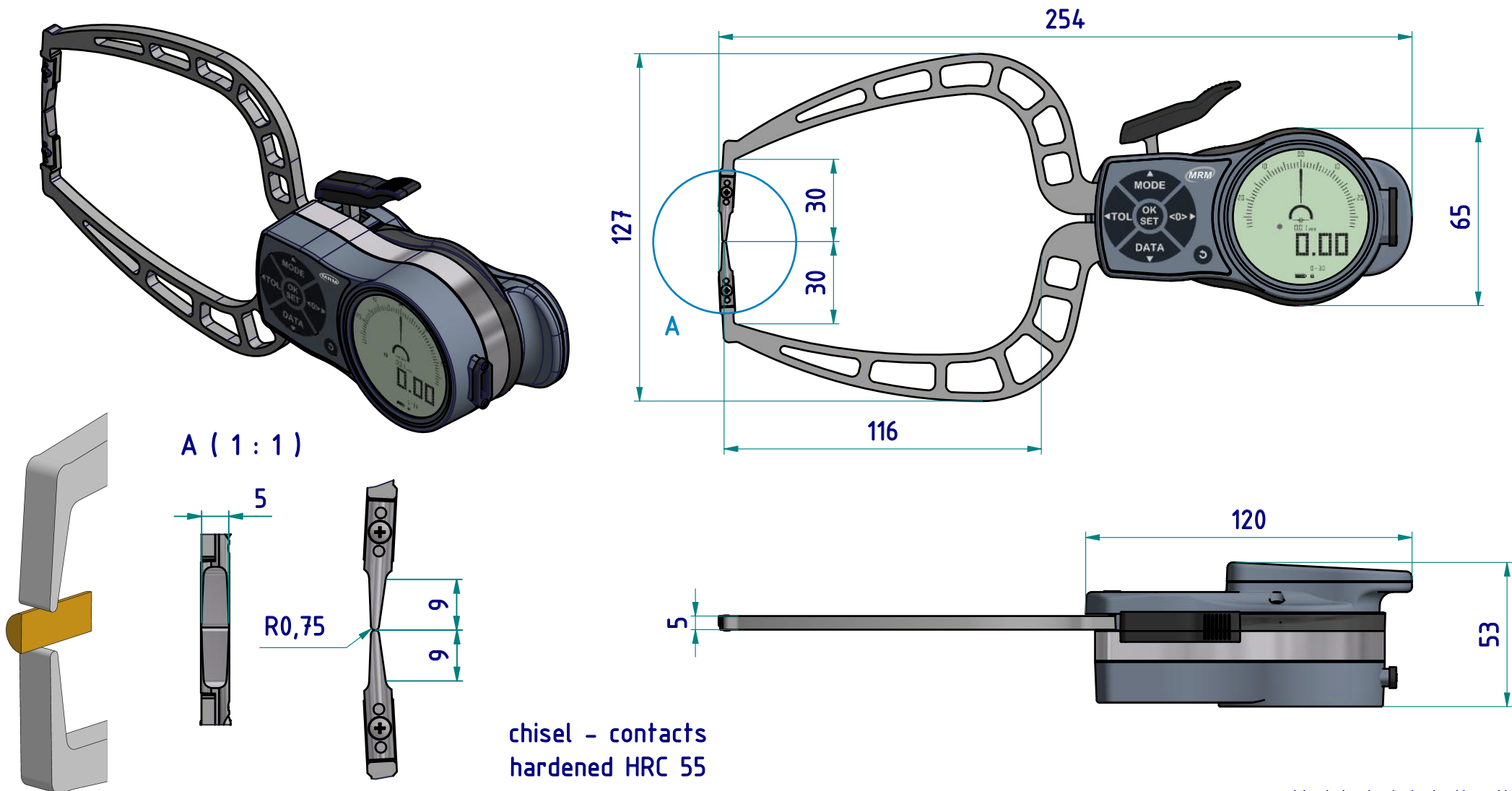


# data sheet: K330S



chisel - contacts  
hardened HRC 55

subject to technical alterations

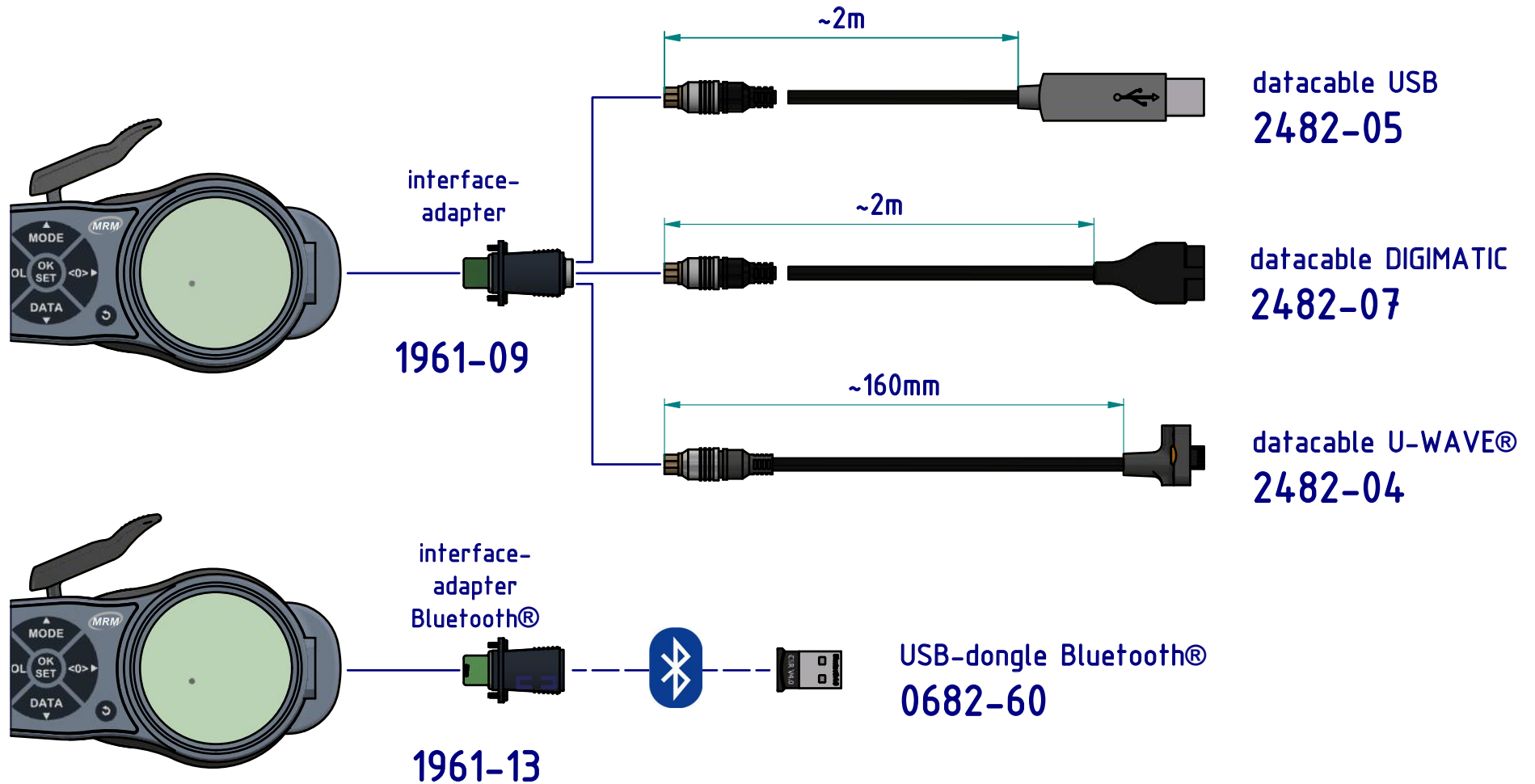
type:	K
range:	0 - 30 mm
range of indication:	0 - 30,5 mm
digital step:	0,01 mm
scale interval:	-
measuring force:	0,9 - 1,6 N
weight:	430 g

acceptable deviations VDI/VDE/DGQ 2618 Bl. 12.1/13.1)	
max. permissible errors "G": 0,04 mm	
repeatability "r": 0,02 mm	
reference temperature: 20° C	
operation temperature: 10° C - 30° C	
storage temperature: -10° C - 50° C	

scale:	1:2
drawing-nr.:	DAB-K330S-K-e
date of issue:	05.03.2021
name:	B. Schmidt
revision status:	
revision date:	

# data sheet: K330S

interface as accessories available:



subject to technical alterations

drawing-nr.:	DAB-K330S-K-e
date of issue:	05.03.2021
name:	B. Schmidt
revision status:	
revision date:	