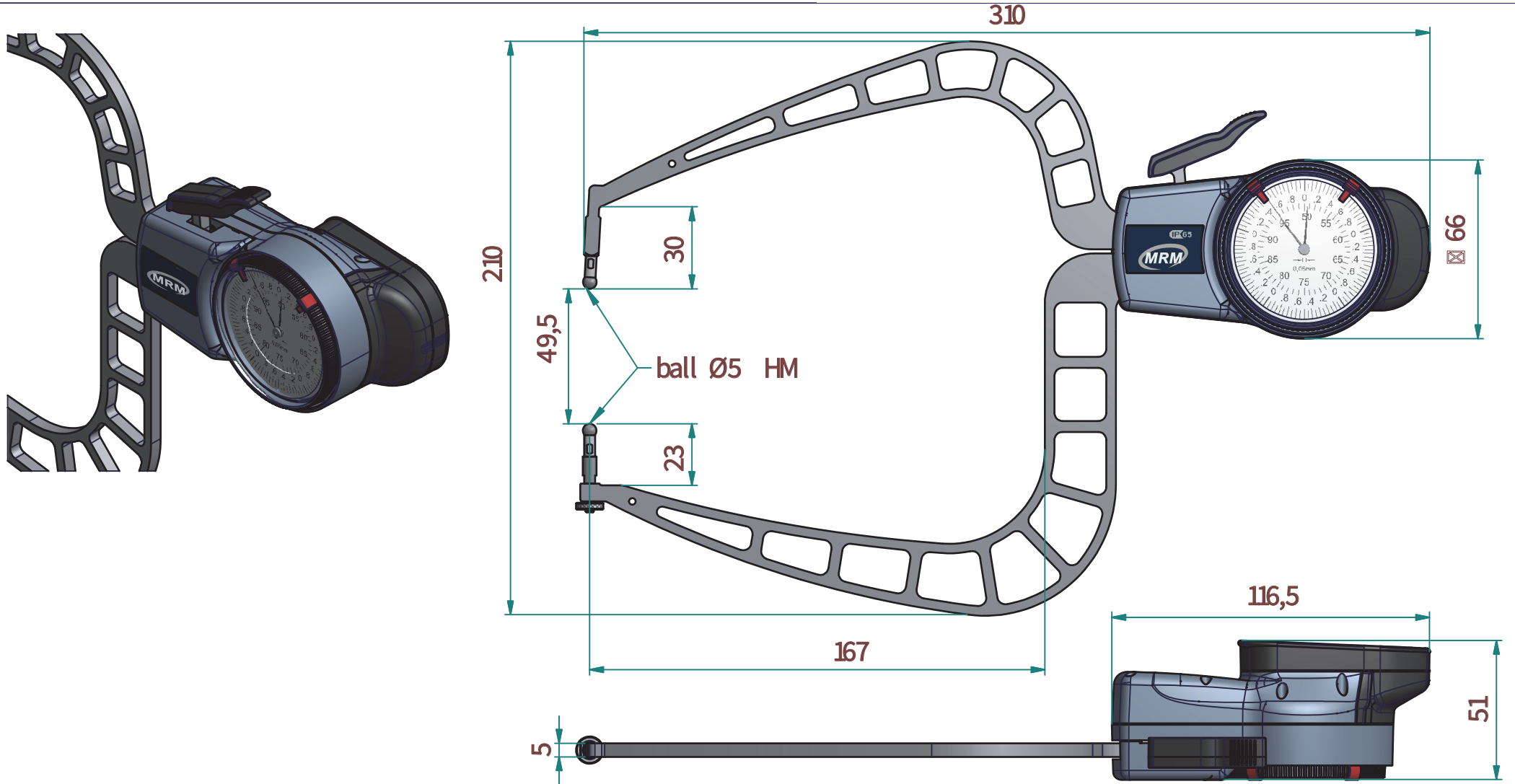


data sheet: D4100



subject to technical alterations

type: M200
range: 50 - 100 mm
range of indication: 49,5 - 100,5 mm
digital step:
scale interval: 0,050 mm
measuring force: 0,8 - 1,7 N
weight: 450 g

acceptable deviations
 VDI/VDE/DGQ 2618 Bl. 12.1/13.1)
max. permissible errors "G": 0,075 mm
repeatability "r": 0,050 mm
reference temperature: 20° C
operation temperature: 10° C - 30° C
storage temperature: -10° C - 50° C

scale: 1:2
drawing-nr.: DAB-D4100_KR_en
date of issue: 12.04.2013
name: Buchholz

revision status:
revision date: