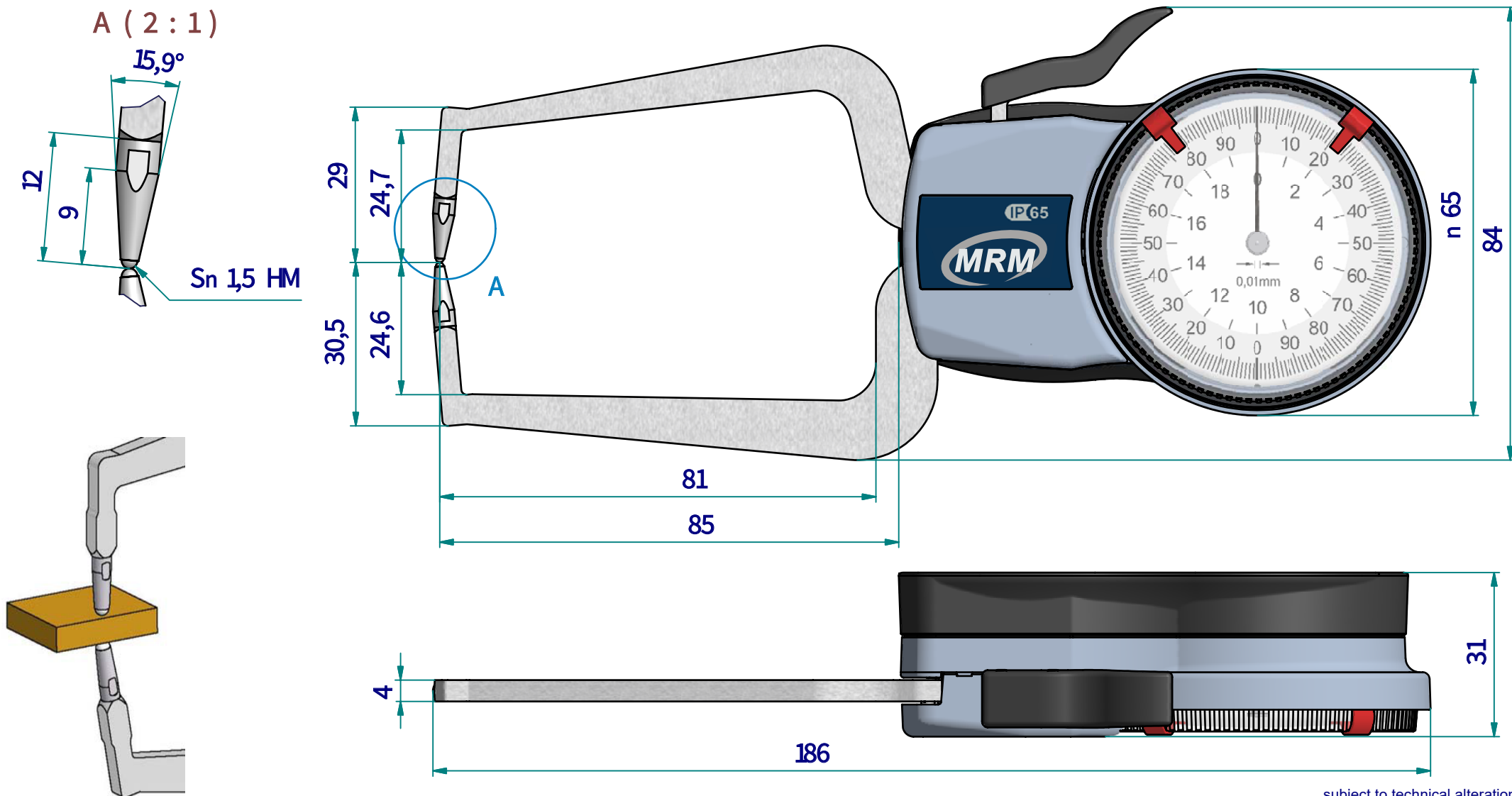


data sheet: D220



subject to technical alterations

type: D
range: 0 - 20 mm
range of indication: 0 - 20,5 mm
digital step: -
scale interval: 0,01 mm
measuring force: 1,1 - 1,6 N
weight: 210 g

acceptable deviations
 VDI/VDE/DGQ 2618 Bl. 12.1/13.1)
max. permissible
errors "G": 0,03 mm
repeatability "r": 0,01 mm
reference temperature: 20° C
operation temperature: 10° C - 30° C
storage temperature: -10° C - 50° C

scale: 1:1
drawing-nr.: DAB-D220_KR_e
date of issue: 08.01.09
name: T.Koenig
revision status:
revision date: