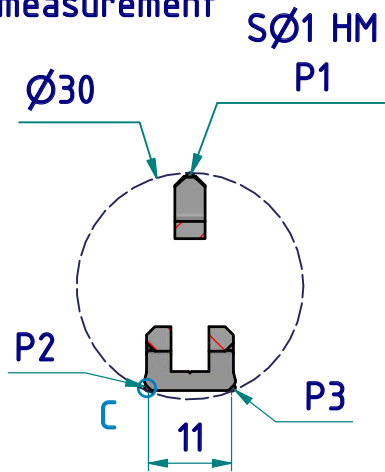
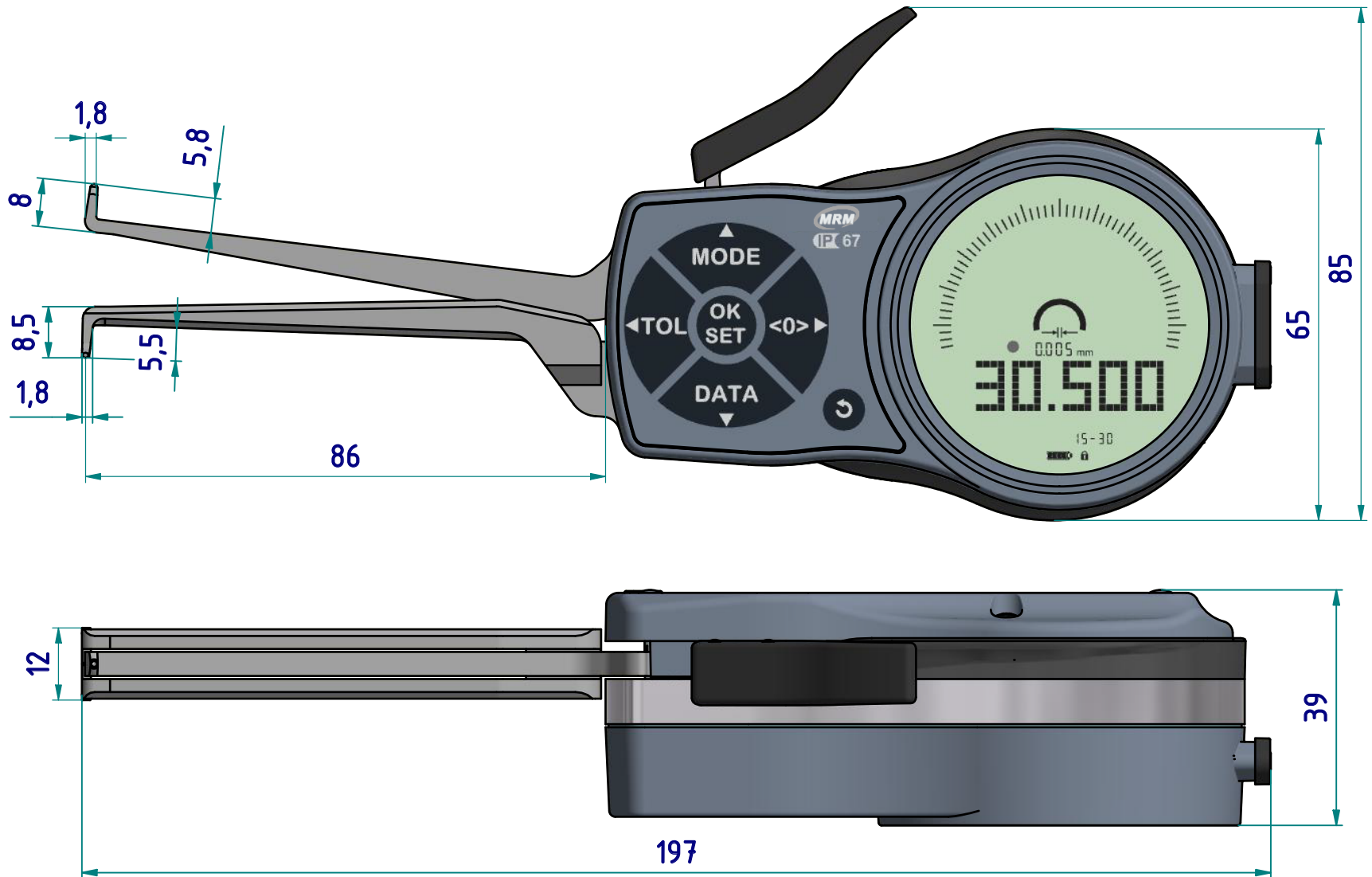


# data sheet: L215P3

3-point  
measurement



C ( 5 : 1 )



subject to technical alterations

**type:** L - P3  
**range:** 15 - 30 mm  
**range of indication:** 14,5 - 30,5 mm  
**digital step:** 0,005 mm  
**scale interval:** -  
**measuring force:** 1,1 - 1,6 N  
**weight:** 295 g

acceptable deviations  
 VDI/VDE/DGQ 2618 Bl. 12.1/13.1)  
**max. permissible**  
**errors "G":** 0,02 mm  
**repeatability "r":** 0,01 mm  
**reference temperature:** 20° C  
**operation temperature:** 10° C - 30° C  
**storage temperature:** -10° C - 50° C

**scale:** 1:1  
**drawing-nr.:** DAB-L215P3-K-e  
**date of issue:** 21.01.2020  
**name:** B. Schmidt  
  
**revision status:** 001  
**revision date:** 23.09.2020

# data sheet: L215P3

## measuring capacity

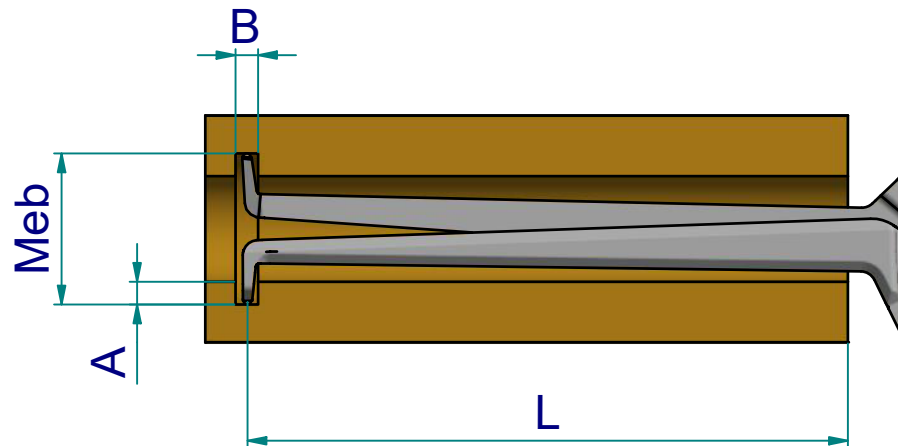
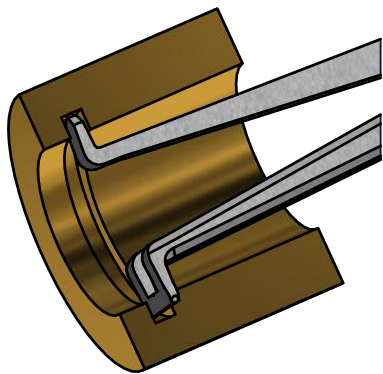
groove depth A [mm]	measuring range Meb [mm]									
	15	16	18	20	22	24	26	28	30	
0	0 / 73	0 / 73	0 / 74	0 / 75	0 / 75	0 / 76	0 / 76	0 / 77	0 / 77	
1			1,5 / 74	1,5 / 73	1,5 / 73	1,5 / 74	1,5 / 75	1,5 / 75	1,5 / 76	
2				1,7 / 71	1,7 / 72	1,7 / 73	1,6 / 74	1,6 / 74	1,6 / 75	
3					1,8 / 72	1,8 / 73	1,8 / 74	1,8 / 74	1,9 / 75	
4						2,0 / 71	2,1 / 72	2,1 / 73	2,2 / 73	
4,5						2,5 / 68	2,4 / 70	2,3 / 71	2,2 / 73	
5							3,2 / 68	3 / 70	2,8 / 71	
	B / L									

B = minimum groove width [mm]

L = maximum usable arm length [mm]

Example: Meb = 24    B = 1,7

A = 2    L = 73

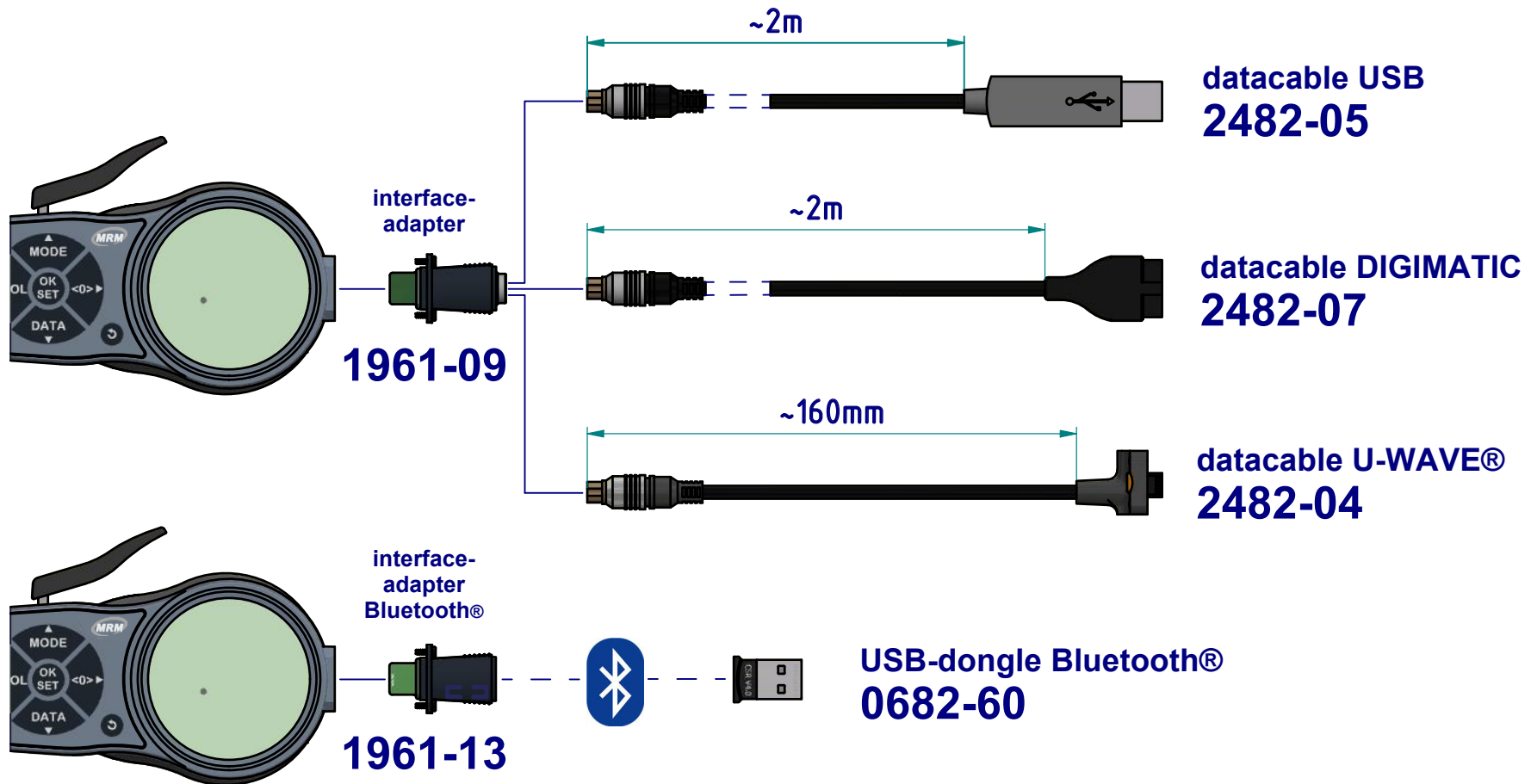


subject to technical alterations

drawing-nr.:	DAB-L215P3-K-e
date of issue:	21.01.2020
name:	B. Schmidt
revision status:	001
revision date:	23.09.2020

# data sheet: L215P3

interface as accessories available:



subject to technical alterations

drawing-nr.:	DAB-L215P3-K-e
date of issue:	21.01.2020
name:	B. Schmidt
revision status:	001
revision date:	23.09.2020