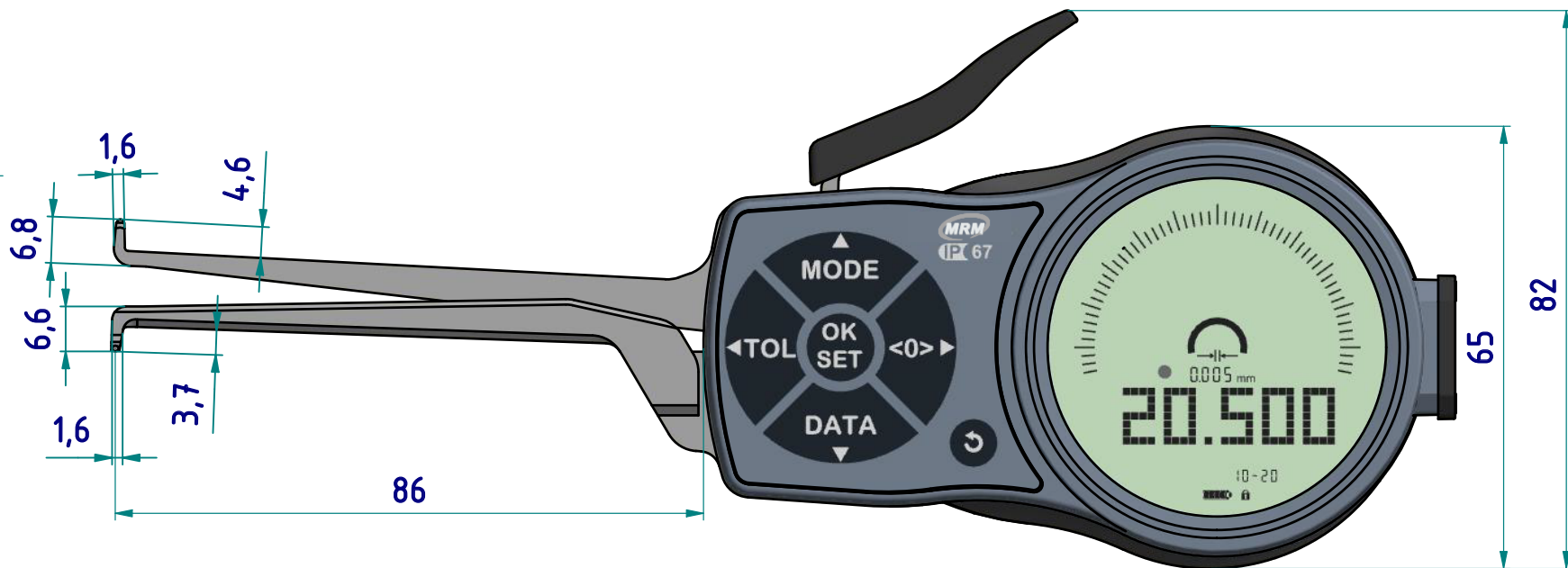
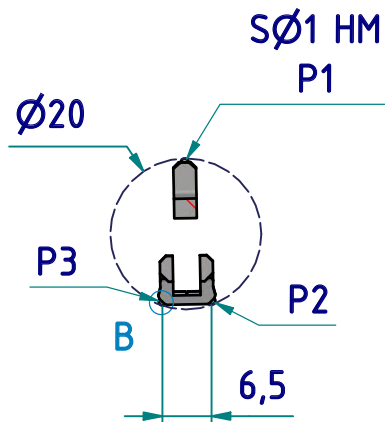
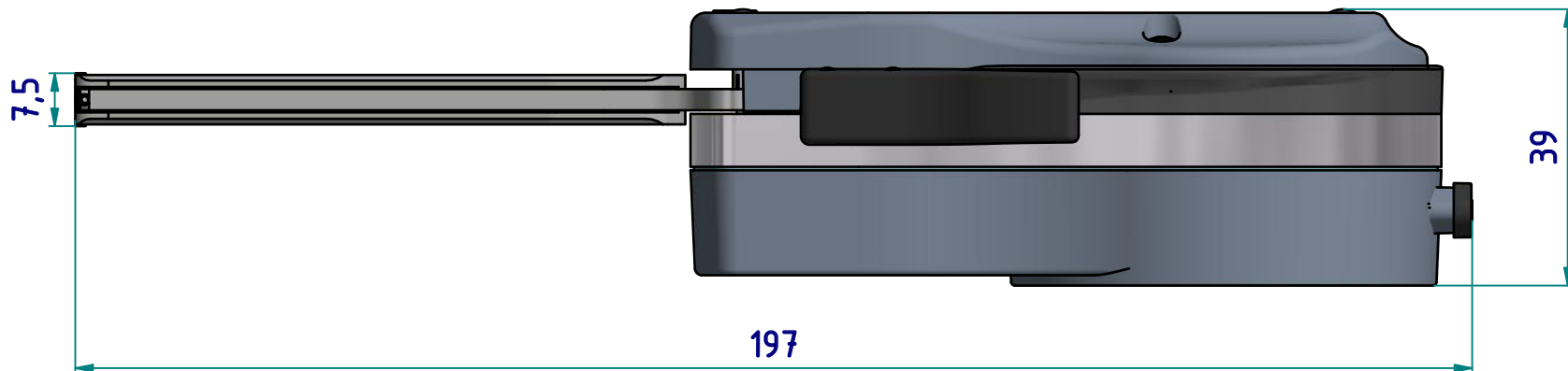


data sheet: L210P3

3-point
measurement



B (5 : 1)



subject to technical alterations

type: L - P3
range: 10 - 20 mm
range of indication: 9,8 - 20,5 mm
digital step: 0,005 mm
scale interval: -
measuring force: 1,1 - 1,6 N
weight: 270 g

acceptable deviations
 VDI/VDE/DGQ 2618 Bl. 12.1/13.1)
max. permissible errors "G": 0,02 mm
repeatability "r": 0,01 mm
reference temperature: 20° C
operation temperature: 10° C - 30° C
storage temperature: -10° C - 50° C

scale: 1:1
drawing-nr.: DAB-L210P3-K-e
date of issue: 21.01.2020
name: B. Schmidt

revision status: 001
revision date: 23.09.2020

data sheet: L210P3

measuring capacity

measuring range M_{eb} [mm]

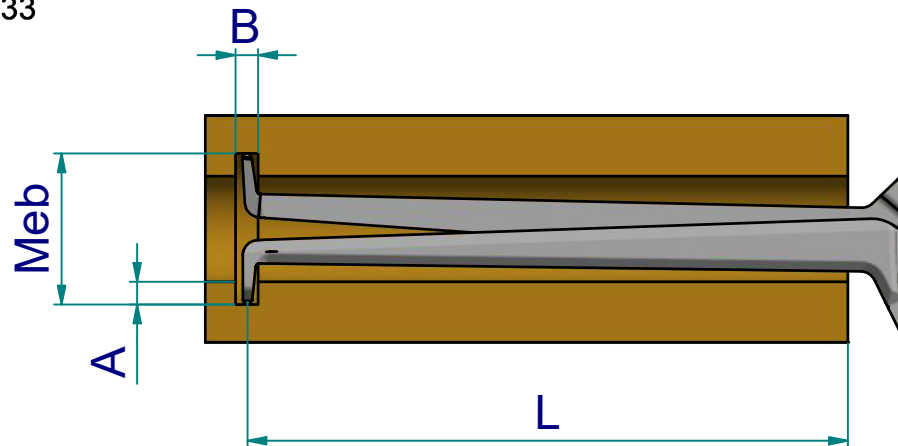
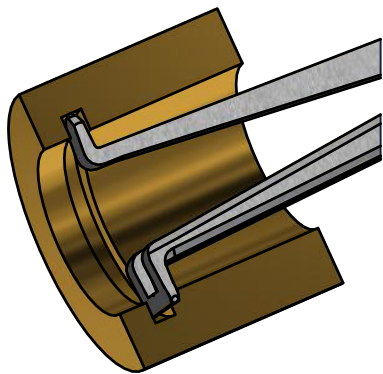
| groove depth A [mm] | measuring range M_{eb} [mm] | | | | | | | | | |
|------------------------|-------------------------------|--------|----------|----------|----------|----------|----------|----------|----------|--|
| | 10 | 11 | 12 | 13 | 14 | 15 | 16 | 18 | 20 | |
| 0 | 0 / 73 | 0 / 73 | 0 / 74 | 0 / 74 | 0 / 74 | 0 / 74 | 0 / 74 | 0 / 75 | 0 / 75 | |
| 1 | | | 1,7 / 72 | 1,7 / 72 | 1,8 / 73 | 1,8 / 73 | 1,7 / 73 | 1,7 / 74 | 1,7 / 74 | |
| 2 | | | | | 1,7 / 71 | 1,7 / 72 | 1,7 / 72 | 1,7 / 73 | 1,6 / 74 | |
| 3 | | | | | | | 2,1 / 64 | 1,9 / 71 | 1,8 / 73 | |
| 3,5 | | | | | | | | 2,6 / 67 | 2,7 / 71 | |
| | B / L | | | | | | | | | |

B = minimum groove width [mm]

L = maximum usable arm length [mm]

Example: $M_{eb} = 8$ B = 0,9

A = 0,4 L = 33

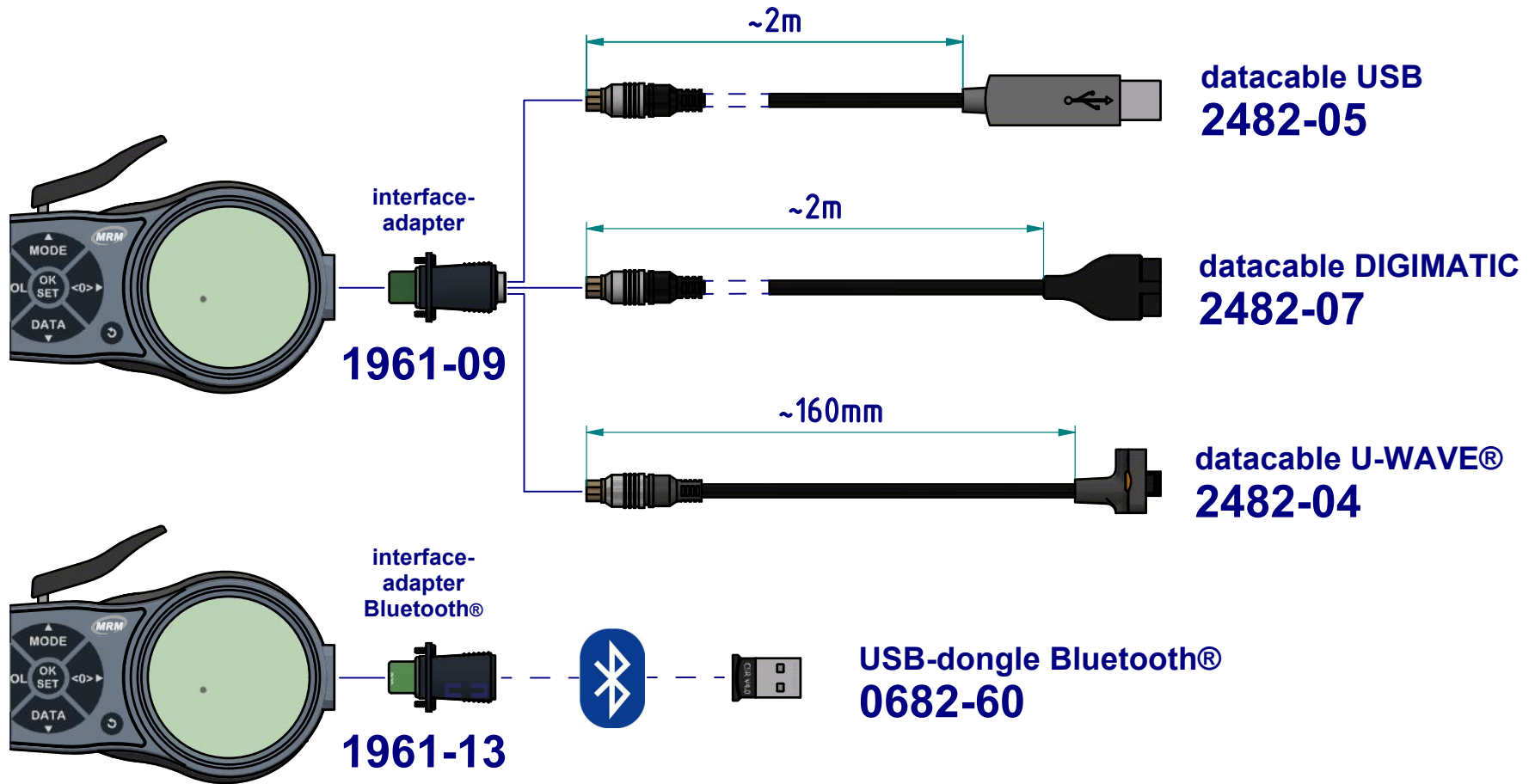


subject to technical alterations

| | |
|------------------|----------------|
| drawing-nr.: | DAB-L210P3-K-e |
| date of issue: | 21.01.2020 |
| name: | B. Schmidt |
| revision status: | 001 |
| revision date: | 23.09.2020 |

data sheet: L210P3

interface as accessories available:



subject to technical alterations

| | |
|------------------|----------------|
| drawing-nr.: | DAB-L210P3-K-e |
| date of issue: | 21.01.2020 |
| name: | B. Schmidt |
| revision status: | 001 |
| revision date: | 23.09.2020 |