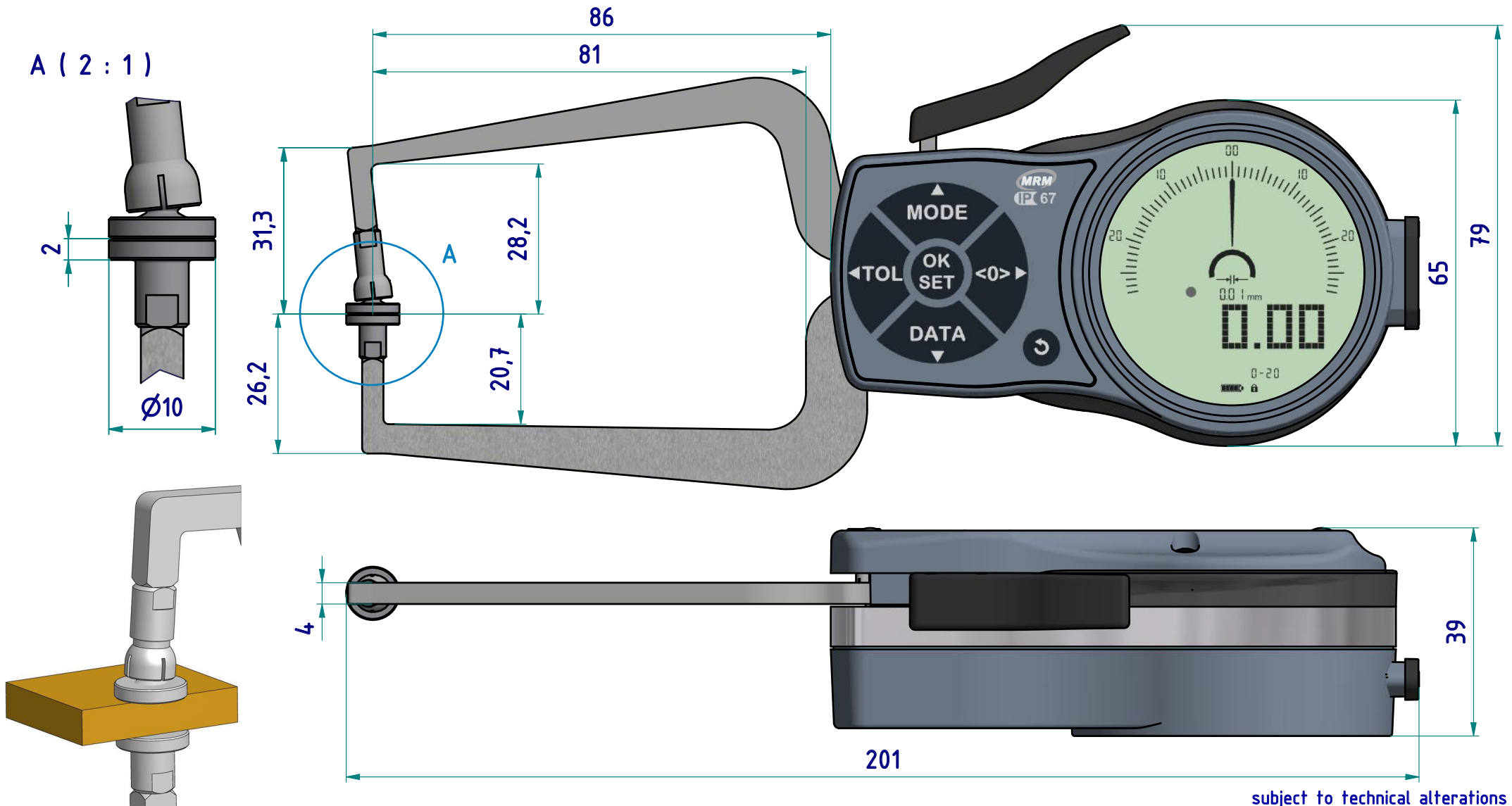


data sheet: K220T



subject to technical alterations

type: K
range: 0 - 20 mm
range of indication: 0 - 20,5 mm
digital step: 0,01 mm
scale interval: -
measuring force: 1,1 - 1,6 N
weight: 310 g

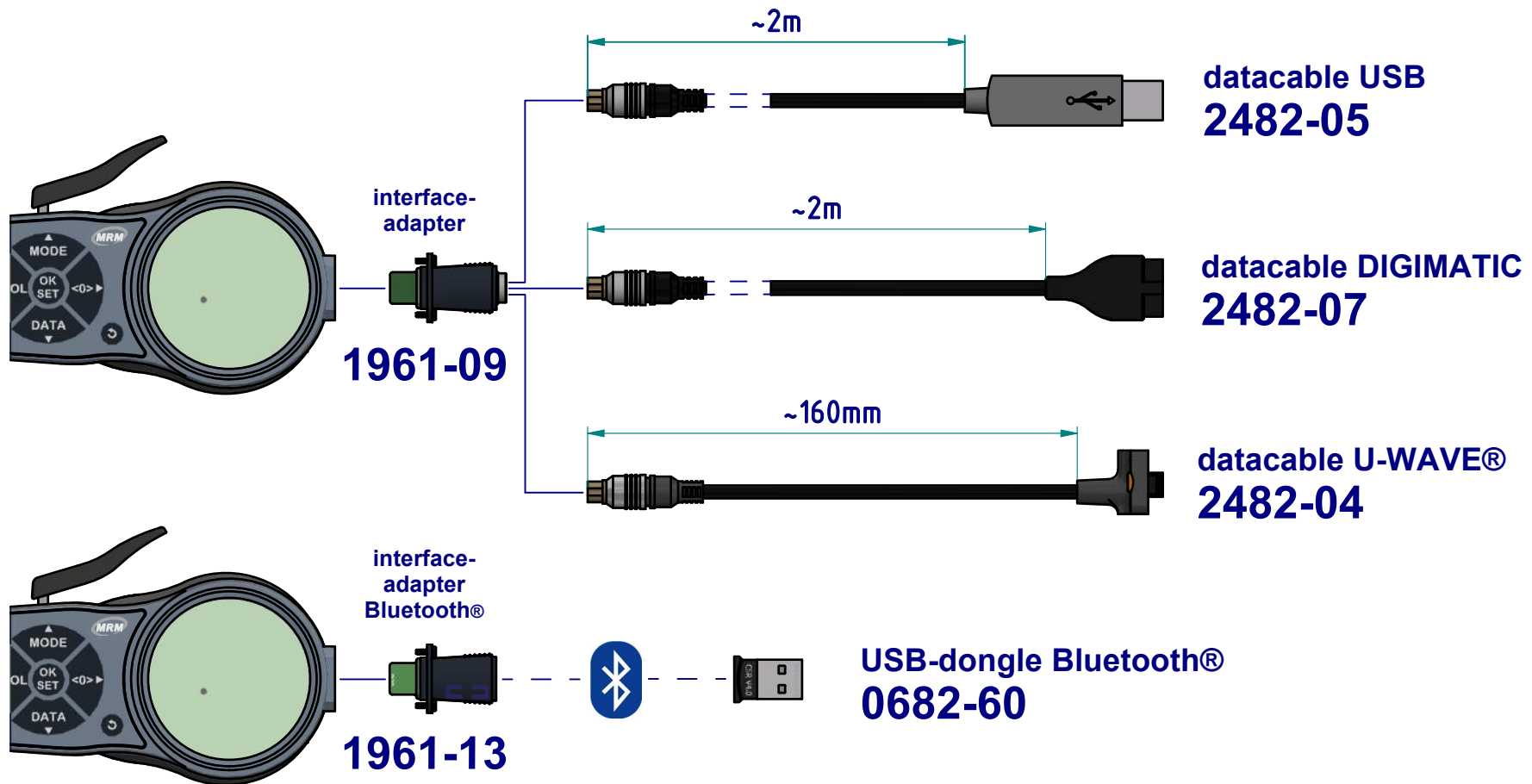
acceptable deviations
 VDI/VDE/DGQ 2618 Bl. 12.1/13.1)
max. permissible
errors "G": 0,04 mm
repeatability "r": 0,01 mm
reference temperature: 20° C
operation temperature: 10° C - 30° C
storage temperature: -10° C - 50° C

scale: 1:1
drawing-nr.: DAB-K220T-K-e
date of issue: 21.01.2020
name: B. Schmidt

revision status: 002
revision date: 23.09.2020

data sheet: K220T

interface as accessories available:



subject to technical alterations

drawing-nr.:	DAB-K220T-K-e
date of issue:	21.01.2020
name:	B. Schmidt
revision status:	002
revision date:	23.09.2020