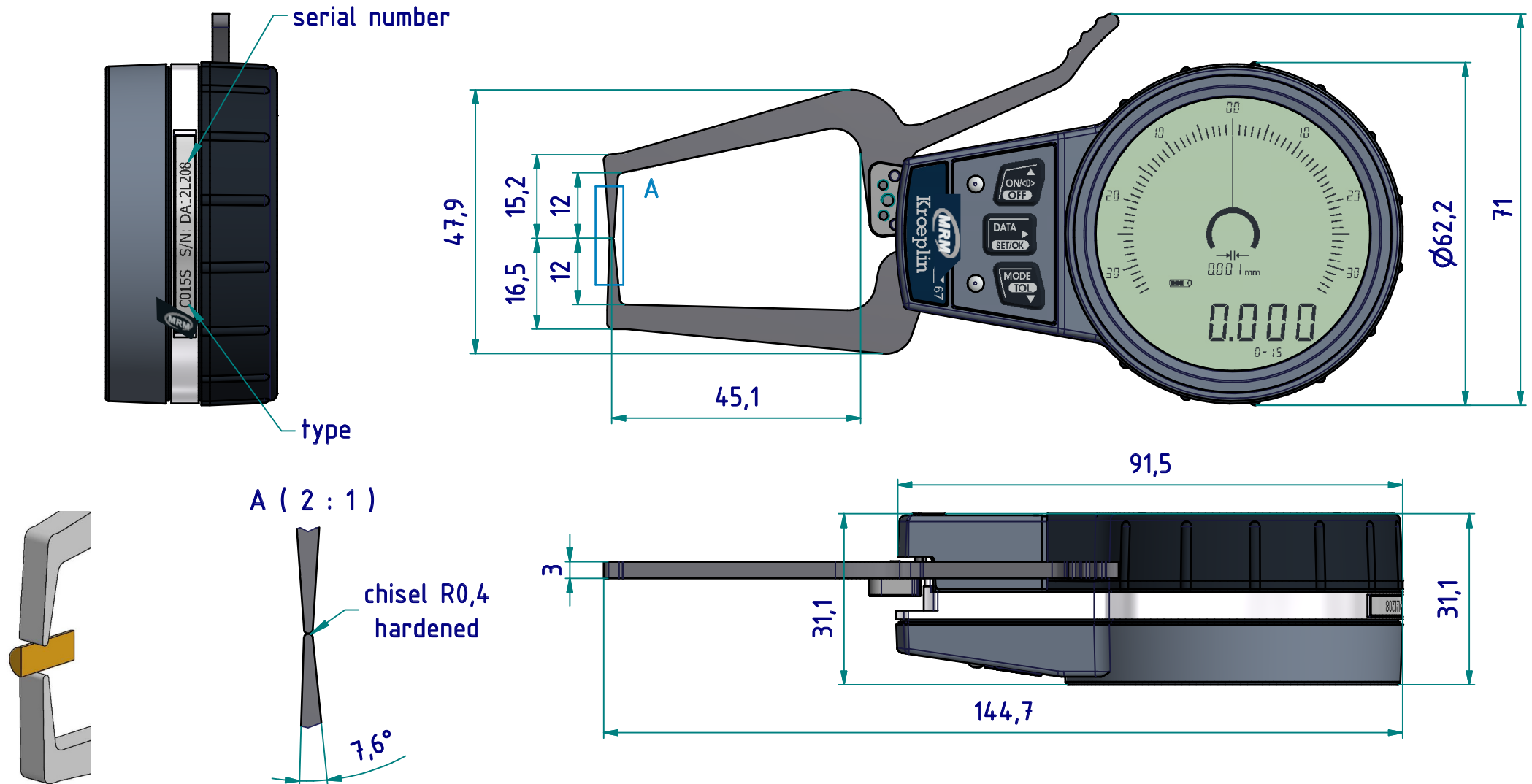


data sheet: C015S



Subject to technical alterations

type: C
range: 0 - 15 mm
range of indication: 0 - 15,5 mm
digital step: 0,001 mm
scale interval: -
measuring force: 1,3 - 1,5 N
weight: 170 g

acceptable deviations
 VDI/VDE/DGQ 2618 Bl. 12.1/13.1)
max. permissible
errors "G": 0,015 mm
repeatability "r": 0,005 mm
reference temperature: 20° C
operation temperature: 10° C - 30° C
storage temperature: -10° C - 50° C

scale: 1:1
drawing-nr.: DAB-C015S-KR-e
date of issue: 09.02.2017
name: L.Simon
revision status:
revision date: