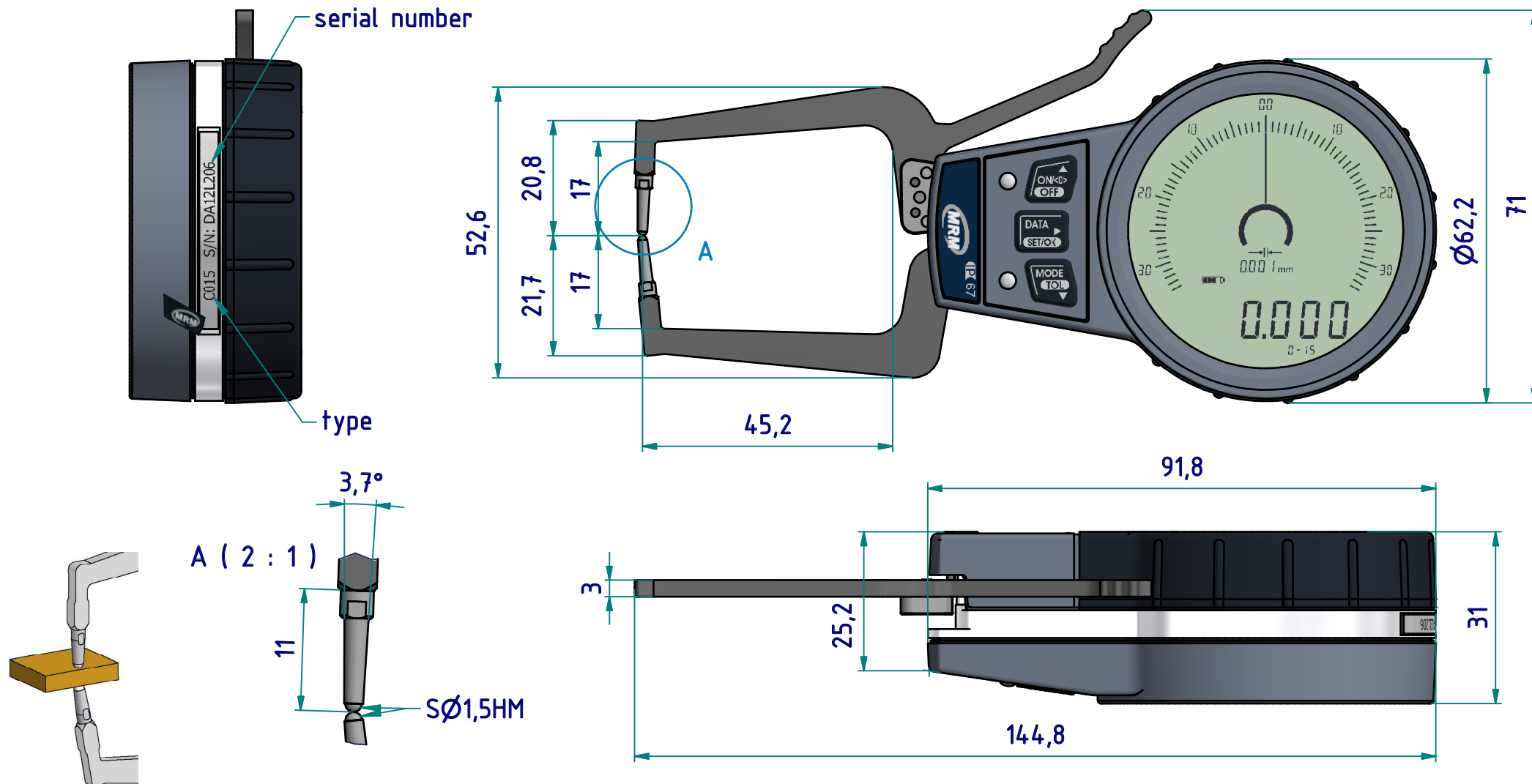


# data sheet: C015



**type:** C  
**range:** 0 - 15 mm  
**range of indication:** 0 - 15,5 mm  
**digital step:** 0,001 mm  
**scale interval:** -  
**measuring force:** 1,3 - 1,5 N  
**weight:** 170 g

**acceptable deviations**  
 VDI/VDE/DGQ 2618 Bl. 12.1/13.1)  
**max. permissible**  
**errors "G":** 0,01 mm  
**repeatability "r":** 0,005mm  
**reference temperature:** 20° C  
**operation temperature:** 10° C - 30° C  
**storage temperature:** -10° C - 50° C

**scale:** 1:1  
**drawing-nr.:** DAB-C015-KR-e  
**date of issue:** 08.02.2017  
**name:** L.Simon  
**revision status:**  
**revision date:**