

# Bore Gages

## SERIES 511 — for Small Holes

### FEATURES

- Interchangeable anvils are made of alloy steel.
- The dial indicator is fully protected by a rugged cover.

### SPECIFICATIONS

#### Metric    Gage Stem $\varnothing$ 8mm

Measuring Range	Order No. Without Dial Gage	Order No. With 2046SB Graduation 0.01mm	Order No. With 2109SB-10 Graduation 0.001mm	Number of Anvils	Number of Spacers
6 - 10mm	511-209*	511-211	511-210	9	1
10 - 18.5mm	511-201*	511-204	511-203	9	1

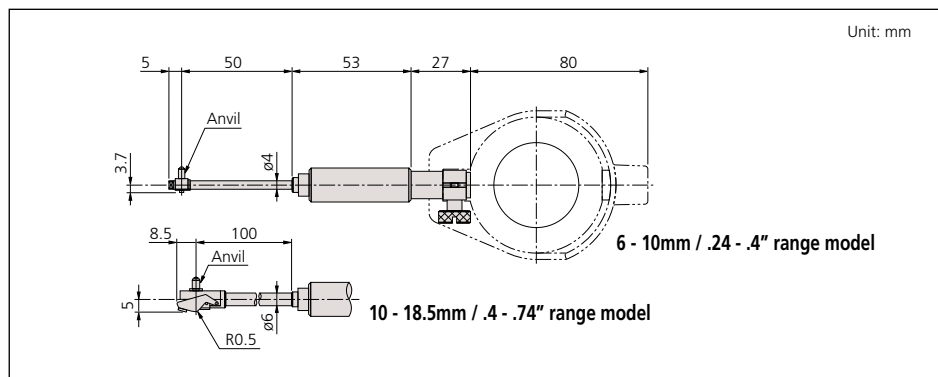
\*Does not come with Dial Gage Protector Cover (21DZA000)

#### Inch    Gage Stem Dia .375"

Measuring Range	Order No. Without Dial Gage	Order No. With 2922SB Graduation .0005"	Order No. With 2923SB-10 Graduation .0001"	Number of Anvils	Number of Spacers
.24 - .4"	511-214*	511-213	511-212	9	1
.4 - .74"	511-205*	511-207	511-206	9	1

\*Does not come with Dial Gage Protector Cover (21DZA000)

### DIMENSIONS

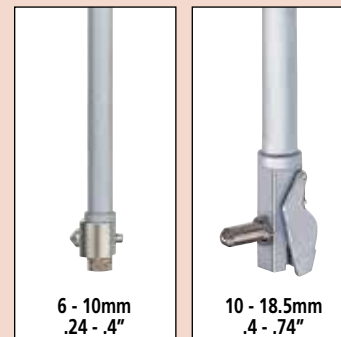


511-204

### Technical Data

Accuracy:  $5\mu\text{m}$  / .0002"  
 Indication stability:  $2\mu\text{m}$  / .00008"  
 Graduation: 0.01mm, 0.001mm, .0005" or .0001"

### Measuring Heads



6 - 10mm  
.24 - .4"

10 - 18.5mm  
.4 - .74"

### Optional Accessories

21DZA000: Dial Gage Protector Cover  
 -----: Setting ring (See page C-29.)

# Bore Gages

## SERIES 511—Standard Type

Mitutoyo offers a complete selection of bore gages, all of them with interchangeable anvils and necessary accessories to perform close tolerance ID measurements.

### FEATURES

- Carbide-tipped contact points for durability.
- The dial indicator is fully protected by a rugged cover.
- Optional extension rods can be attached for measuring deep holes.



511-743

### SPECIFICATIONS

Inch		Gage Stem $\varnothing$ 3/8"			
Measuring Range	Order No. Without Indicator	Order No. With 2922SB Graduation .0005"	Order No. With 2923SB-10 Graduation .0001"	Number of Anvils	Number of Spacers
.7 - 1.4"	511-731*	511-741	511-751	9	2
1.4 - 2.5"	511-732*	511-742	511-752	6	4
2.0 - 6.0"	511-733*	511-743	511-753	11 (2" sub anvil)	4
4.0 - 6.5"	511-734*	511-744	511-754	13	4
6.5 - 10"	511-735*	511-745	511-755	6	7
10 - 16"	511-736*	511-746	511-756	5 (3" sub anvil)	7
.7 - 6"	—	511-931	511-932	26 (2" sub anvil)	10

\*Does not come with Dial Gage Protector Cover (21DZA000)

Metric		Gage Stem $\varnothing$ 8mm			
Measuring Range	Order No. Without Indicator	Order No. With 2046SB Graduation 0.01mm	Order No. With 2109SB-10 Graduation 0.001mm	Number of Anvils	Number of Spacers
18 - 35mm	511-701*	511-711	511-721	9	2
35 - 60mm	511-702*	511-712	511-722	6	4
50 - 150mm	511-703*	511-713	511-723	11 (50mm Sub Anvil)	4
100 - 160mm	511-704*	511-714	511-724	13	4
160 - 250mm	511-705*	511-715	511-725	6	7
250 - 400mm	511-706*	511-716	511-726	5 (75mm Sub Anvil)	7
18 - 150mm	—	511-921 (3 pc set)	511-922 (3 pc set)	26 (50mm Sub Anvil)	10

\*Does not come with Dial Gage Protector Cover (21DZA000)

### Technical Data

Accuracy:  $2\mu\text{m} / .00008"$

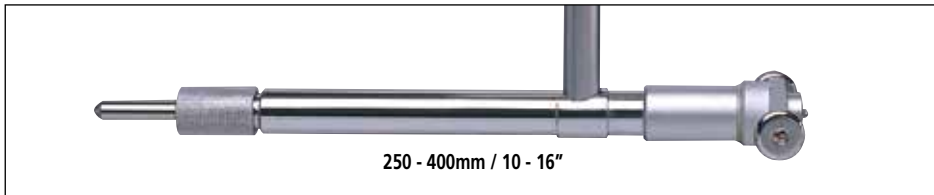
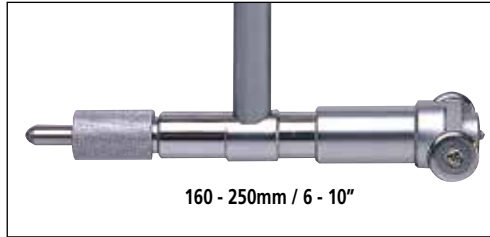
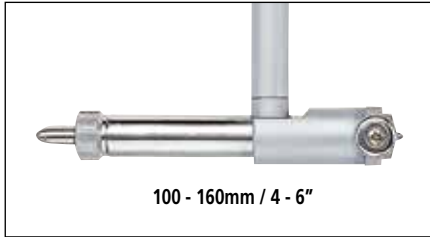
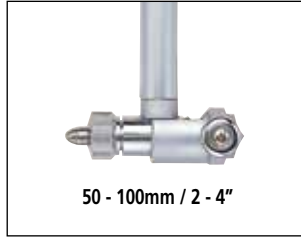
Indication stability:  $1\mu\text{m} / .00004"$

Graduation: 0.01mm, 0.001mm, .0005" or .0001"

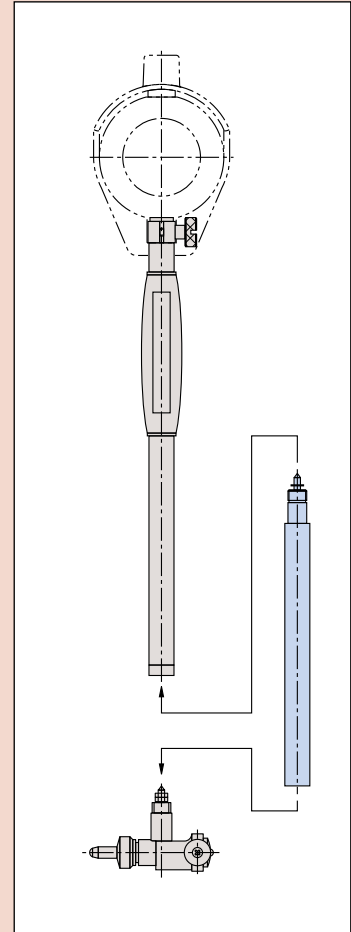
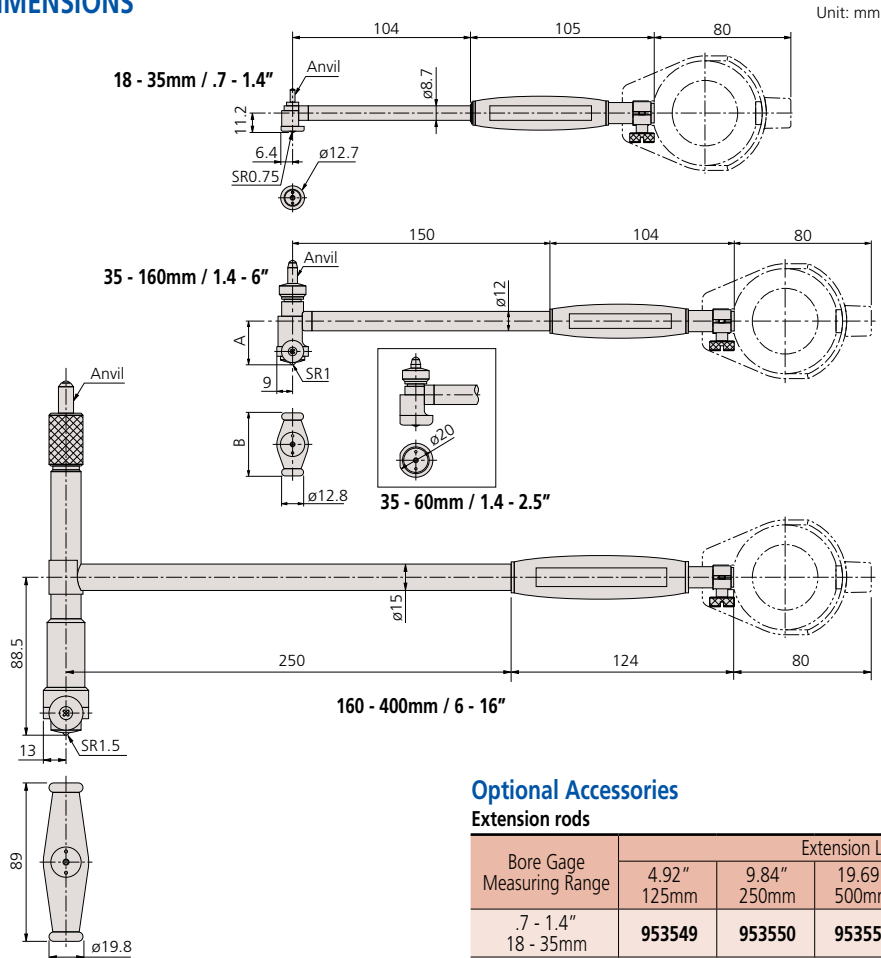


511-712

## Contact Point



## DIMENSIONS



Setting ring (See page C-29.)

## Optional Accessories

### Extension rods

Bore Gage Measuring Range	Extension Length					Rod Diameter	Spanner
	4.92" 125mm	9.84" 250mm	19.69" 500mm	29.53" 750mm	39.37" 1000mm		
.7 - 1.4" 18 - 35mm	953549	953550	953551	-	-	.34" 8.7mm	102148
1.4 - 6.5" 35 - 160mm	953552	953553	953554	953555	953556	.47" 12mm	212556
6.5 - 16" 160 - 400mm	953557	952361	953558	953559	953560	.59" 15mm	212556

Note: Above list is used for 511-1XX series; not available for 511-2XX Series.

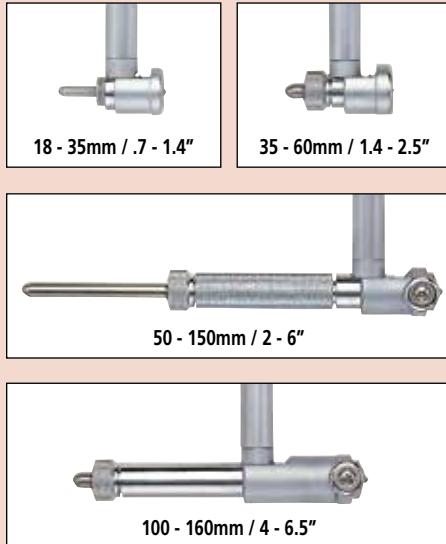


511-786

### Technical Data

Accuracy:  $2\mu\text{m} / .00008''$   
 Indication stability:  $1\mu\text{m} / .00004''$   
 Graduation: 0.01mm, 0.001mm, .0005" or .0001"

### Contact Point



### Optional Accessories

---- : Setting ring (See page C-29.)

# Bore Gages

## SERIES 511 — Short-Leg Type

### FEATURES

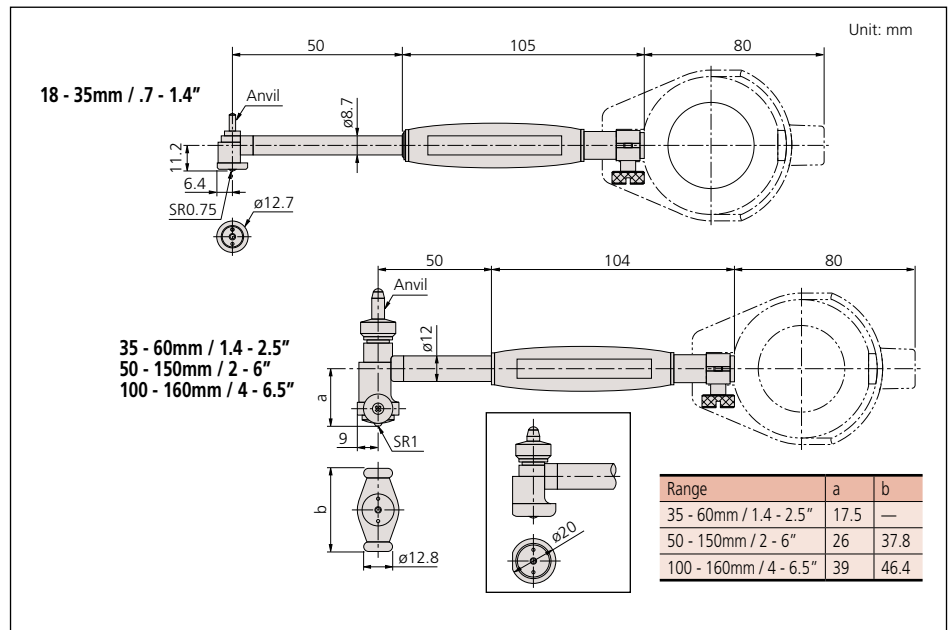
- Compact and lightweight because of the short length below the grip.
- Carbide-tipped contact point for durability.

### SPECIFICATIONS

Inch		Gage Stem $\varnothing 3/8''$		
Measuring Range	Order No. With 2922SB Graduation .0005"	Order No. With 2923SB-10 Graduation .0001"	Number of Anvils	Number of Spacers
.7 - 1.4"	511-786	511-791	9	2
1.4 - 2.5"	511-787	511-792	6	4
2.0 - 6.0"	511-788	511-793	11 (2" sub anvil)	4
4.0 - 6.5"	511-789	511-794	13	4

Metric		Gage Stem $\varnothing 8\text{mm}$		
Measuring Range	Order No. With 2046SB Graduation 0.01mm	Order No. With 2109SB-10 Graduation 0.001mm	Number of Anvils	Number of Spacers
18 - 35mm	511-766	511-771	9	2
35 - 60mm	511-767	511-772	6	4
50 - 150mm	511-768	511-773	11 (50mm Sub Anvil)	4
100 - 160mm	511-769	511-774	13	4

### DIMENSIONS



# Bore Gages

## SERIES 511 — for Blind Holes

### FEATURES

- Measure ID at position close to the bottom of blind holes.
- Carbide-contact point ensures high durability and wear resistance.
- Grip is large and hollow to reduce effect of body heat on high-accuracy measurements.



511-426

### SPECIFICATIONS

**Metric** Gage Stem  $\varnothing$  8mm

Measuring Range	Order No. Without Dial Gage	Order No. With 2046SB Graduation 0.01mm	Order No. With 2109SB-10 Graduation 0.001mm	Number of Anvils	Number of Spacers
15 - 35mm	511-415*	511-425	511-435	11 10mm Sub-Anvil	1
35 - 60mm	511-416*	511-426	511-436	6	4
50 - 150mm	511-417*	511-427	511-437	11 50mm Sub-Anvil	4

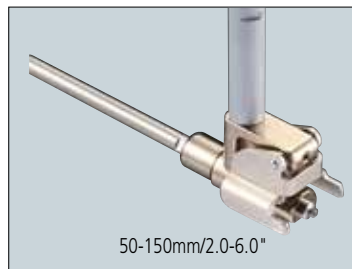
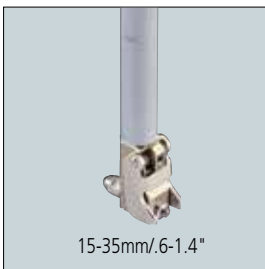
\*Does not come with Dial Gage Protector Cover (21DZA000)

**Inch** Gage Stem Dia. .375"

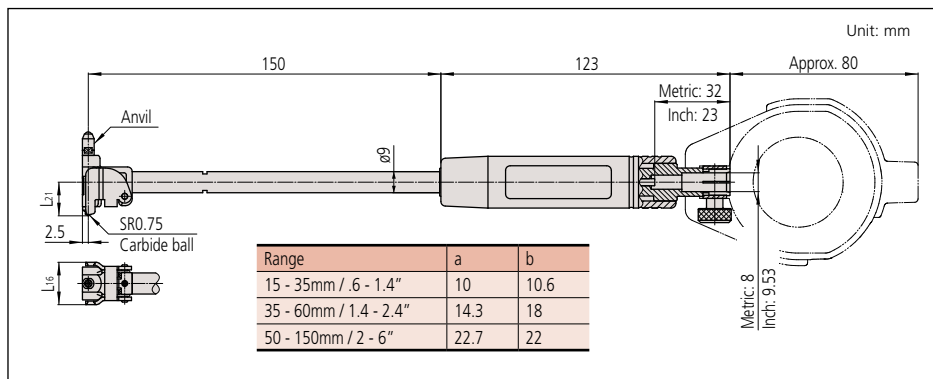
Measuring Range	Order No. Without Dial Gage	Order No. With 2922SB Graduation .0005"	Order No. With 2923SB-10 Graduation .0001"	Number of Anvils	Number of Spacers
.6 - 1.4"	511-418*	511-428	511-438	11 .4" Sub-Anvil	1
1.4 - 2.4"	511-419*	511-429	511-439	6	4
2 - 6"	511-420*	511-430	511-440	11 2" Sub-Anvil	4

\*Does not come with Dial Gage Protector Cover (21DZA000)

### Contact Points

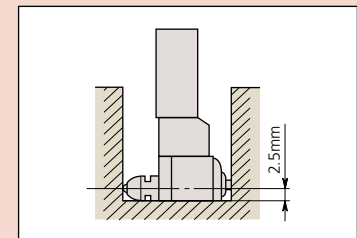


### DIMENSIONS



### Technical Data

Accuracy:  $4\mu\text{m}/.00016"$   
 Indication stability:  $1\mu\text{m}/.0004"$   
 Graduation: 0.01mm, 0.001mm, .0005" or .0001"



### Optional Accessories

----- : Setting ring (See page C-29.)



511-843

# Bore Gages

## SERIES 511 — with Micrometer Head

### FEATURES

- Interchangeable anvil is attached to a micrometer head for accurate dimensional setting.
- Wide measuring range with sub-anvils.
- Carbide ball contact point for durability.
- Extension rods (optional) can be attached for measuring deep holes.
- Optional setting rings offer the best method of zero-setting bore gages.

### SPECIFICATIONS

**Inch** Gage Stem  $\varnothing$  3/8"

Measuring Range	Order No. Without Indicator	Order No. With 2922SB Graduation .0005"	Order No. With 2923SB-10 Graduation .0001"	Mic Head Travel	Sub Anvil
2.4 - 4.0"	511-833*	511-843	511-853	.4"	.4", .8"
4.0 - 6.4"	511-834*	511-844	511-854	.5"	.4", .8", .8"
6.0 - 10"	511-835*	511-845	511-855	.5"	.4", .8", .8", 2"
10 - 16"	511-836*	511-846	511-856	1"	1", 2", 2"
16 - 24"	511-837*	511-847	511-857	2"	2", 4"
24 - 32"	511-838*	511-848	511-858	2"	2", 4"

\*Does not come with Dial Gage Protector Cover (21DZA000)

**Metric** Gage Stem  $\varnothing$  8mm

Measuring Range	Order No. Without Indicator	Order No. With 2046SB Graduation 0.01mm	Order No. With 2109SB-10 Graduation 0.001mm	Mic Head Travel	Sub Anvil
60 - 100mm	511-803*	511-813	511-823	10mm	10mm, 20mm
100 - 160mm	511-804*	511-814	511-824	13mm	10mm, 20mm, 20mm
150 - 250mm	511-805*	511-815	511-825	13mm	10mm, 20mm, 20mm, 50mm
250 - 400mm	511-806*	511-816	511-826	25mm	25mm, 50mm, 50mm
400 - 600mm	511-807*	511-817	511-827	50mm	50mm, 100mm
600 - 800mm	511-808*	511-818	511-828	50mm	50mm, 100mm

\*Does not come with Dial Gage Protector Cover (21DZA000)

### Technical Data

Accuracy:  $2\mu\text{m} / .00008"$   
 Indication stability:  $1\mu\text{m} / .00004"$   
 Graduation: 0.01mm, 0.001mm, .0005" or .0001"

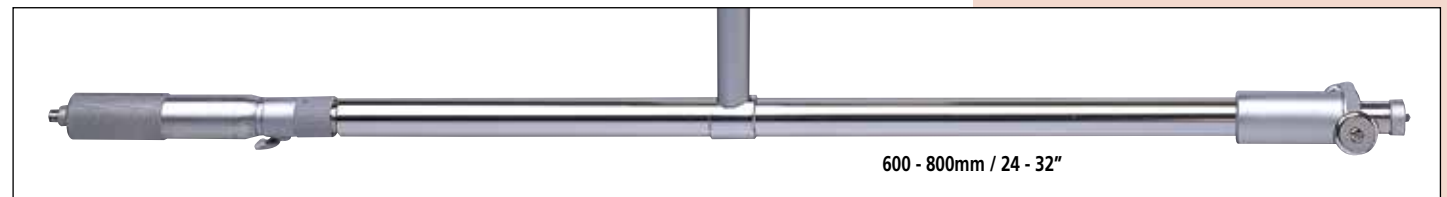
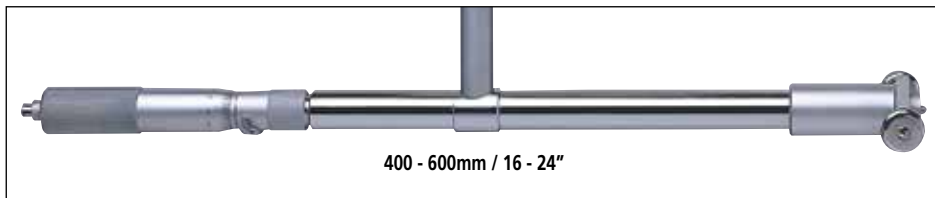
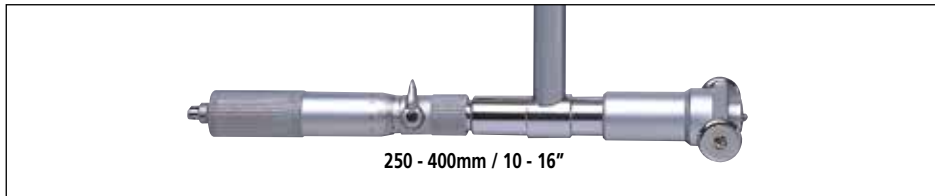
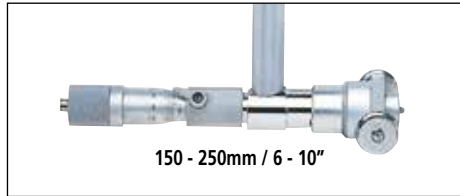
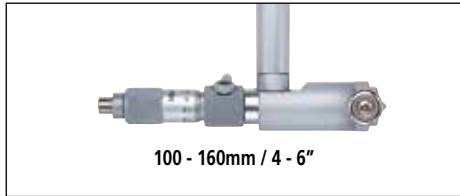
### Optional Accessories

#### Extension rods

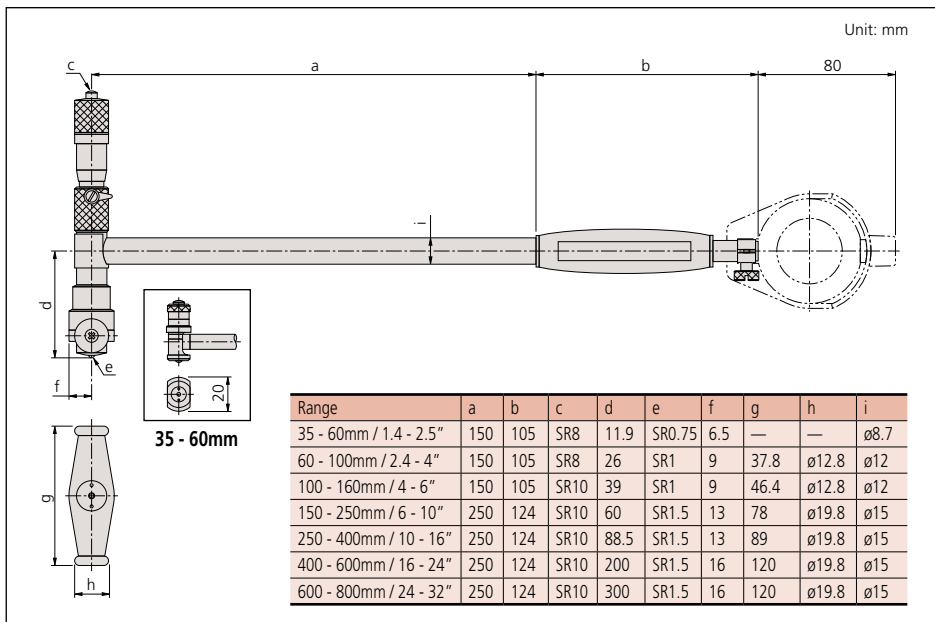
Bore Gage Measuring Range	Extension Length					Rod Diameter	Spanner
	4.92" 125mm	9.84" 250mm	19.69" 500mm	29.53" 750mm	39.37" 1000mm		
2.4-6.4" 60 - 160mm	953552	953553	953554	953555	953556	.47" 12mm	212556
6.0 - 32.0" 150-800mm	953557	952361	953558	953559	953560	.59" 15mm	212556

Note: Not available for 511-2XX Series.

## Contact Point



## DIMENSIONS







# Bore Gages

## SERIES 526 — for Extra Small Holes

These bore gages measure diameters of small holes. The radial displacement of split-ball contact is converted to axial displacement of measuring rod, which is shown on the dial indicator.

### FEATURES

- Optional stand (215-120-10) is available for efficient measurement of multiple small holes.

### SPECIFICATIONS

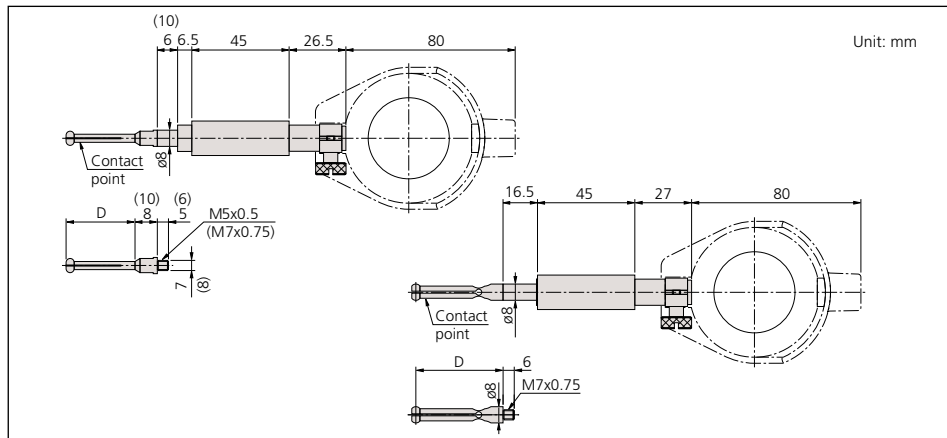
Metric		Gage Stem $\varnothing$ 8mm					
Measuring Range	Order No. Without Dial Gage	Order No. With 2046SB Graduation 0.01mm	Order No. With 2109SB-10 Graduation 0.001mm	Number of Anvils	Number of Needles	Probe depth (D)	Setting Rings
0.95-1.55mm	526-170-10*	526-173-10	526-172-10	5	1	11.5mm	-
0.95-1.55mm	526-170-11*	526-173-11	526-172-11	5	1	11.5mm	5
1.5-3.95mm	526-160-10*	526-163-10	526-162-10	9	2	17.5,22.5mm	-
1.5-3.95mm	526-160-11*	526-163-11	526-162-11	9	2	17.5,22.5mm	9
3.7-7.3mm	526-150-10*	526-153-10	526-152-10	7	1	32mm	-
3.7-7.3mm	526-150-11*	526-153-11	526-152-11	7	1	32mm	7
7 - 10mm	526-101*	526-126	526-124	6	1	56mm	
10 - 18mm	526-102*	526-127	526-125	8	1	62mm	

\*Does not come with Dial Gage Protector (21DZA000)

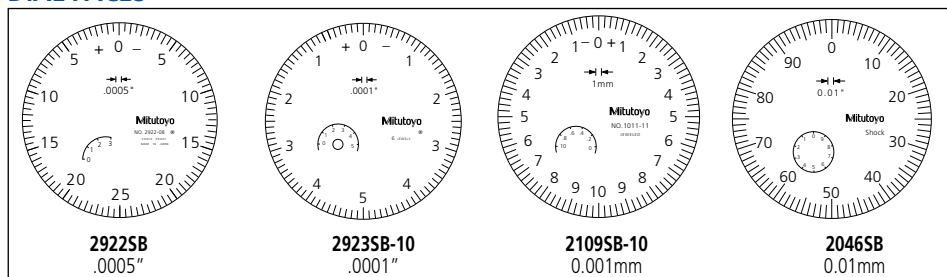
Inch		Gage Stem Dia .375"					
Measuring Range	Order No. Without Dial Gage	Order No. With 2922SB Graduation .0005"	Order No. With 2923SB-10 Graduation .0001"	Number of Anvils	Number of Needles	Probe depth (D)	Setting Rings
.037-.061"	526-175-10*	-	526-176-10	5	1	.453"	-
.037-.061"	526-175-11*	-	526-176-11	5	1	.453"	5
.059-.156"	526-165-10*	-	526-166-10	9	2	.689, .886"	-
.059-.156"	526-165-11*	-	526-166-11	9	2	.689, .886"	9
.146-.287"	526-155-10*	-	526-156-10	7	1	1.26"	-
.146-.287"	526-155-11*	-	526-156-11	7	1	1.26"	7
.3 - .4"	526-103*	526-119	526-122	6	1	2.2"	
.4 - .7"	526-104*	526-120	526-123	8	1	2.4"	

\*Does not come with Dial Gage Protector (21DZA000)

### DIMENSIONS



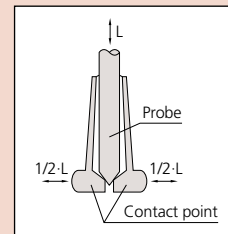
### DIAL FACES



### Technical Data

Accuracy:  $4\mu\text{m} / .00016''$   
 Indication stability:  $2\mu\text{m} / .00008''$   
 Graduation: 0.01mm, 0.001mm, .0005" or .00001"

### Contact Point



### Optional Accessory

215-120-10: Bore gage stand



----- : Setting ring (See page C-29.)



515-590

# Bore Gage Zero Checker

## SERIES 515

The Bore Gage Zero Checker allows easy zero adjustment of dial bore gages with ranges of 18mm (.7") through 400mm (16") using gage blocks.

### SPECIFICATIONS

Order No.	Applicable range
515-590	18 - 400mm (.7" - 16")



# Setting Rings

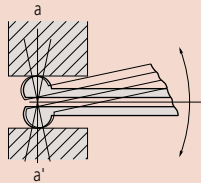
## SERIES 177 — Accessories for Inside Micrometers, Holtest and Dial Bore Gages

### FEATURES

- Used for quick and accurate setting of dial bore gages, Holtest and inside micrometers.
- If a setting ring of an optimal size is prepared, it can be used for calibration.

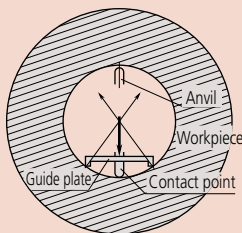
### How to read the indicated value

Series 526



The 526 series has a gage head with high curvature. Alignment with the diameter (a-a') is achieved by rotating the gage head in the direction indicated by the arrow, and the reading is the maximum value read from the dial indicator.

Series 511

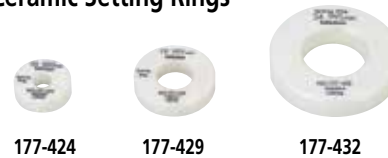


The 511 series provides a guide plate to align the setting ring diameter with the measurement axis of the bore gage.

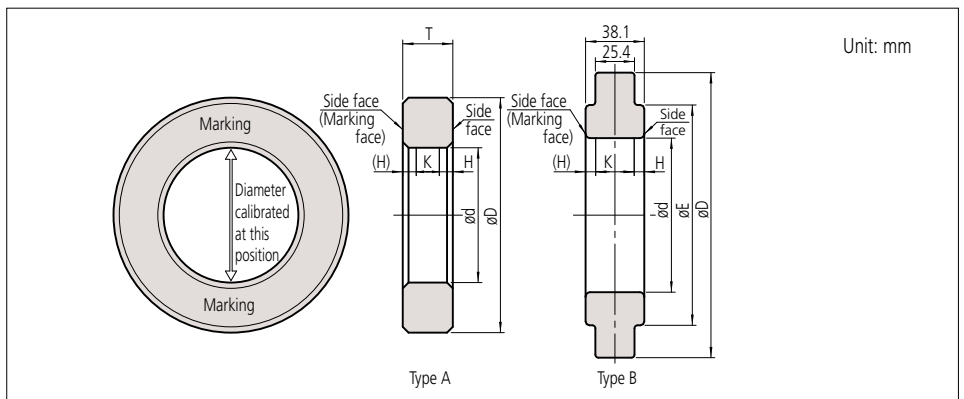
### Steel Setting Rings



### Ceramic Setting Rings



### DIMENSIONS



# SPECIFICATIONS

## Steel Setting Rings

Order No.	Nominal size ød	Dimensions (mm)			Type	Accuracy				
		ød	øE	T		Tolerance between the nominal size and the actual diameter (µm)	Uncertainty of marked diameter value (µm)*1	Roundness/Cylindricity (µm)*2	Distance from the side face H (mm)	Size of warranted calibration surface K (mm)
177-220	1mm	20	—	4	A	±10	±1.5	1	1.6	0.8
177-222	1.1mm	20	—	4	A	±10	±1.5	1	1.6	0.8
177-225	1.2mm	20	—	4	A	±10	±1.5	1	1.6	0.8
177-227	1.3mm	20	—	4	A	±10	±1.5	1	1.6	0.8
177-230	1.4mm	20	—	4	A	±10	±1.5	1	1.6	0.8
177-236	1.75mm	25	—	5	A	±10	±1.5	1	1.6	1.8
177-239	2mm	25	—	5	A	±10	±1.5	1	1.6	1.8
177-242	2.25mm	25	—	5	A	±10	±1.5	1	1.6	1.8
177-208	2.5mm	25	—	7	A	±10	±1.5	1	1.7	3.6
177-246	2.75mm	25	—	7	A	±10	±1.5	1	1.7	3.6
177-248	3mm	25	—	7	A	±10	±1.5	1	1.7	3.6
177-250	3.25mm	25	—	7	A	±10	±1.5	1	1.7	3.6
177-252	3.5mm	25	—	7	A	±10	±1.5	1	1.7	3.6
177-255	3.75mm	25	—	7	A	±10	±1.5	1	1.7	3.6
177-204	4mm	25	—	7	A	±10	±1.5	1	1.7	3.6
177-257	4.5mm	25	—	7	A	±10	±1.5	1	1.7	3.6
177-205	5mm	25	—	7	A	±10	±1.5	1	1.7	3.6
177-263	5.5mm	25	—	7	A	±10	±1.5	1	1.7	3.6
177-267	6mm	25	—	7	A	±10	±1.5	1	1.7	3.6
177-271	6.5mm	25	—	7	A	±10	±1.5	1	1.7	3.6
177-275	7mm	25	—	7	A	±10	±1.5	1	1.7	3.6
177-125	8mm	32	—	10	A	±10	±1.5	1	2.0	6.0
177-279	9mm	32	—	10	A	±10	±1.5	1	2.0	6.0
177-126	10mm	32	—	10	A	±10	±1.5	1	2.0	6.0
177-284	12mm	32	—	10	A	±10	±1.5	1	2.0	6.0
177-132	14mm	38	—	10	A	±10	±1.5	1	2.0	6.0

Order No.	Nominal size ød	Dimensions (mm)			Type	Accuracy				
		ød	øE	T		Tolerance between the nominal size and the actual diameter (µm)	Uncertainty of marked diameter value (µm)*1	Roundness/Cylindricity (µm)*2	Distance from the side face H (mm)	Size of warranted calibration surface K (mm)
177-177	16mm	45	—	10	A	±10	±1.5	1	2.0	6.0
177-133	17mm	45	—	10	A	±10	±1.5	1	2.0	6.0
177-285	18mm	45	—	10	A	±10	±1.5	1	2.0	6.0
177-286	20mm	45	—	10	A	±10	±1.5	1	2.0	6.0
177-139	25mm	53	—	15	A	±10	±1.5	1	3.2	8.6
177-288	30mm	71	—	15	A	±10	±1.5	1	3.2	8.6
177-140	35mm	71	—	15	A	±10	±1.5	1	3.2	8.6
177-290	40mm	71	—	15	A	±10	±1.5	1	3.2	8.6
177-178	45mm	85	—	15	A	±10	±1.5	1	3.7	7.6
177-146	50mm	85	—	20	A	±20	±1.5	1	3.7	12.6
177-292	60mm	112	—	20	A	±20	±1.5	1	3.7	12.6
177-314	62mm	112	—	20	A	±20	±1.5	1.5	3.7	12.6
177-147	70mm	112	—	20	A	±20	±1.5	1.5	3.7	12.6
177-316	75mm	125	—	25	A	±20	±1.5	1.5	4.2	16.6
177-294	80mm	125	—	25	A	±20	±1.5	1.5	4.2	16.6
177-318	87mm	140	—	25	A	±20	±1.5	1.5	4.2	16.6
177-148	90mm	140	—	25	A	±20	±1.5	1.5	4.2	16.6
177-296	100mm	160	—	25	A	±20	±1.5	2	4.2	16.6
177-298	125mm	210	168		B	±20	±2.5	2	5.3	27.5
177-300	150mm	235	187		B	±20	±2.5	2	5.3	27.5
177-302	175mm	260	215		B	±20	±2.5	2.5	5.3	27.5
177-304	200mm	311	244		B	±20	±2.5	2.5	5.3	27.5
177-306	225mm	337	264		B	±20	±2.5	2.5	5.3	27.5
177-308	250mm	362	290		B	±20	±2.5	3	5.3	27.5
177-310	275mm	413	321		B	±20	±2.5	3	5.3	27.5
177-312	300mm	438	340		B	±20	±2.5	3	5.3	27.5

Order No.	Nominal size ød	Dimensions (mm)			Type	Accuracy				
		ød	øE	T		Tolerance between the nominal size and the actual diameter (inch)	Uncertainty of marked diameter value (inch)*1	Roundness/Cylindricity (inch)*2	Distance from the side face H (mm)	Size of warranted calibration surface K (mm)
177-209	.1"	25	—	7	A	±.0004"	±.00006"	.00004"	1.5	4.0
177-206	.16"	25	—	7	A	±.0004"	±.00006"	.00004"	1.5	4.0
177-207	.24"	25	—	7	A	±.0004"	±.00006"	.00004"	1.5	4.0
177-281	.275"	25	—	7	A	±.0004"	±.00006"	.00004"	1.8	3.4
177-179	.35"	32	—	10	A	±.0004"	±.00006"	.00004"	1.8	6.4
177-283	.425"	32	—	10	A	±.0004"	±.00006"	.00004"	1.8	6.4
177-180	.5"	32	—	10	A	±.0004"	±.00006"	.00004"	1.8	6.4
177-181	.6"	38	—	10	A	±.0004"	±.00006"	.00004"	1.8	6.4
177-182	.65"	45	—	10	A	±.0004"	±.00006"	.00004"	1.8	6.4
177-183	.7"	45	—	10	A	±.0004"	±.00006"	.00004"	1.8	6.4
177-287	.8"	45	—	10	A	±.0004"	±.00006"	.00004"	1.8	6.4
177-184	1"	53	—	15	A	±.0004"	±.00006"	.00004"	3.0	9.0
177-289	1.2"	71	—	15	A	±.0004"	±.00006"	.00004"	3.0	9.0
177-185	1.4"	71	—	15	A	±.0004"	±.00006"	.00004"	3.0	9.0
177-291	1.6"	71	—	15	A	±.0004"	±.00006"	.00004"	3.0	9.0
177-186	1.8"	85	—	15	A	±.0004"	±.00006"	.00004"	3.5	8.0

Order No.	Nominal size ød	Dimensions (mm)			Type	Accuracy				
		ød	øE	T		Tolerance between the nominal size and the actual diameter (inch)	Uncertainty of marked diameter value (inch)*1	Roundness/Cylindricity (inch)*2	Distance from the side face H (mm)	Size of warranted calibration surface K (mm)
177-187	2"	85	—	20	A	±.0008"	±.00006"	.00004"	3.5	13.0
177-293	2.4"	112	—	20	A	±.0008"	±.00006"	.00004"	3.5	13.0
177-315	2.5"	112	—	20	A	±.0008"	±.00006"	.00006"	4.0	12.0
177-188	2.8"	112	—	20	A	±.0008"	±.00006"	.00006"	4.0	12.0
177-317	3"	125	—	25	A	±.0008"	±.00006"	.00006"	4.0	17.0
177-295	3.2"	125	—	25	A	±.0008"	±.00006"	.00006"	4.0	17.0
177-319	3.5"	140	—	25	A	±.0008"	±.00006"	.00006"	4.0	17.0
177-189	3.6"	140	—	25	A	±.0008"	±.00006"	.00006"	4.0	17.0
177-297	4"	160	—	25	A	±.0008"	±.00006"	.00008"	4.0	17.0
177-299	5"	210	168		B	±.0008"	±.00010"	.00008"	5.0	28.1
177-301	6"	235	187		B	±.0008"	±.00010"	.00008"	5.0	28.1
177-303	7"	260	215		B	±.0008"	±.00010"	.00010"	5.0	28.1
177-305	8"	311	244		B	±.0008"	±.00010"	.00010"	5.0	28.1
177-307	9"	337	264		B	±.0008"	±.00010"	.00010"	5.0	28.1
177-309	10"	362	290		B	±.0008"	±.00010"	.00012"	5.0	28.1
177-311	11"	413	321		B	±.0008"	±.00010"	.00012"	5.0	28.1
177-313	12"	438	340		B	±.0008"	±.00010"	.00012"	5.0	28.1

## Cera Setting Rings

Order No.	Nominal size ød	Dimensions (mm)			Type	Accuracy				
		ød	øE	T		Tolerance between the nominal size and the actual diameter (µm)	Uncertainty of marked diameter value (µm)*1	Roundness/Cylindricity (µm)*2	Distance from the side face H (mm)	Size of warranted calibration surface K (mm)
177-418	4mm	25	—	7	A	±10	±1.5	1	1.7	3.6
177-420	6mm	25	—	7	A	±10	±1.5	1	1.7	3.6
177-423	8mm	32	—	10	A	±10	±1.5	1	2.0	6.0
177-424	10mm	32	—	10	A	±10	±1.5	1	2.0	6.0
177-425	12mm	32	—	10	A	±10	±1.5	1	2.0	6.0
177-427	16mm	45	—	10	A	±10	±1.5	1	2.0	6.0
177-429	20mm	45	—	10	A	±10	±1.5	1	2.0	6.0
177-430	25mm	53	—	15	A	±10	±1.5	1	3.2	8.6
177-431	30mm	71	—	15	A	±10	±1.5	1	3.2	8.6
177-432	35mm	71	—	15	A	±10	±1.5	1	3.2	8.6
177-433	40mm	71	—	15	A	±10	±1.5	1	3.2	8.6
177-434	45mm	85	—	15	A	±10	±1.5	1	3.2	8.6

Order No.	Nominal size ød	Dimensions (mm)			Type	Accuracy				
		ød	øE	T		Tolerance between the nominal size and the actual diameter (inch)	Uncertainty of marked diameter value (inch)*1	Roundness/Cylindricity (inch)*2	Distance from the side face H (mm)	Size of warranted calibration surface K (mm)
177-518	.16"	25	—	7	A	±.0004"	±.00006"	.00004"	1.5	4.0
177-520	.24"	25	—	7	A	±.0004"	±.00006"	.00004"	1.5	4.0
177-522	.275"	25	—	7	A	±.0004"	±.00006"	.00004"	1.5	4.0
177-523	.35"	32	—	10	A	±.0004"	±.00006"	.00004"	1.8	6.4
177-524	.425"	32	—	10	A	±.0004"	±.00006"	.00004"	1.8	6.4
177-525	.5"	32	—	10	A	±.0004"	±.00006"	.00004"	1.8	6.4
177-527	.65"	45	—	10	A	±.0004"	±.00006"	.00004"	1.8	6.4
177-529	.8"	45	—	10	A	±.0004"	±.00006"	.00004"	1.8	6.4
177-530	1"	53	—	15	A	±.0004"	±.00006"	.00004"	3.0	9.0
177-531	1.2"	71	—	15	A	±.0004"	±.00006"	.00004"	3.0	9.0
177-532	1.4"	71	—	15	A	±.0004"	±.00006"	.00004"	3.0	9.0
177-533	1.6"	71	—	15	A	±.0004"	±.00006"	.00004"	3.0	9.0
177-534	1.8"	85	—	15	A	±.0004"	±.00006"	.00004"	3.0	8.0

\*1 Actual diameter is marked in 0.001 mm increments.

\*2 Cylindricity is defined as per JIS B 0621 definitions and designations of geometrical deviations, Section 4.4 "Cylindricity." Cylindricity is measured using three cross-sections between the top and bottom face of a ring, namely, close to the face near each sides and the center.