

Coolant-proof Micrometer

SERIES 293 — with Dust/Water Protection Conforming to IP65 Level

FEATURES

- IP65 protection level, enabling use in environments exposed to cutting oil, etc*.
*Anti-corrosion treatment is required after use.
- Measurement data output function is available with a water-resistant connection cable.
- Auto power ON/OFF function.
- A nonslip surface with raised dots is employed for the frame cover and surface panel to achieve stable handheld measurement.
- Certificate of inspection* is included. (2" /50mm or less range models)**
*It is not the type used to obtain calibration certificates.
** except 293-349-30
- With a standard bar except for 0-1"/0-25mm model.
- Supplied in fitted case. Plastic case up to 6"/150mm, wooden box over 6"/150mm.



293-330-30



293-252-30



Oil-resistant materials are used in all plastic components.



Measurement data output function is available with a water-resistant connection cable.



Employed nonslip surface with raised dots



Mitutoyo		CERTIFICATE OF INSPECTION / 検査成績書	
1. Item / 品名	Digital Micrometer	Inspected Value / 検査値	0.20mm
Model Name / 型番	293-330	Manufacturer / 製造元	Mitutoyo
Lot No. / ロット番号	293-330	Date / 日付	2023/08/01
2. Name of Inspector / 検査者名	Y. Y. Y.	Standard Temperature / 標準温度	20 °C
3. Name of Inspection / 検査場所	Y. Y. Y.	Inspection Method / 検査方法	Visual
4. Name of Inspection / 検査場所	Y. Y. Y.	Inspection Method / 検査方法	Visual
5. Name of Inspection / 検査場所	Y. Y. Y.	Inspection Method / 検査方法	Visual
6. Name of Inspection / 検査場所	Y. Y. Y.	Inspection Method / 検査方法	Visual
7. Name of Inspection / 検査場所	Y. Y. Y.	Inspection Method / 検査方法	Visual
8. Name of Inspection / 検査場所	Y. Y. Y.	Inspection Method / 検査方法	Visual
9. Name of Inspection / 検査場所	Y. Y. Y.	Inspection Method / 検査方法	Visual
10. Name of Inspection / 検査場所	Y. Y. Y.	Inspection Method / 検査方法	Visual
11. Name of Inspection / 検査場所	Y. Y. Y.	Inspection Method / 検査方法	Visual
12. Name of Inspection / 検査場所	Y. Y. Y.	Inspection Method / 検査方法	Visual
13. Name of Inspection / 検査場所	Y. Y. Y.	Inspection Method / 検査方法	Visual
14. Name of Inspection / 検査場所	Y. Y. Y.	Inspection Method / 検査方法	Visual
15. Name of Inspection / 検査場所	Y. Y. Y.	Inspection Method / 検査方法	Visual
16. Name of Inspection / 検査場所	Y. Y. Y.	Inspection Method / 検査方法	Visual
17. Name of Inspection / 検査場所	Y. Y. Y.	Inspection Method / 検査方法	Visual
18. Name of Inspection / 検査場所	Y. Y. Y.	Inspection Method / 検査方法	Visual
19. Name of Inspection / 検査場所	Y. Y. Y.	Inspection Method / 検査方法	Visual
20. Name of Inspection / 検査場所	Y. Y. Y.	Inspection Method / 検査方法	Visual
21. Name of Inspection / 検査場所	Y. Y. Y.	Inspection Method / 検査方法	Visual
22. Name of Inspection / 検査場所	Y. Y. Y.	Inspection Method / 検査方法	Visual
23. Name of Inspection / 検査場所	Y. Y. Y.	Inspection Method / 検査方法	Visual
24. Name of Inspection / 検査場所	Y. Y. Y.	Inspection Method / 検査方法	Visual
25. Name of Inspection / 検査場所	Y. Y. Y.	Inspection Method / 検査方法	Visual
26. Name of Inspection / 検査場所	Y. Y. Y.	Inspection Method / 検査方法	Visual
27. Name of Inspection / 検査場所	Y. Y. Y.	Inspection Method / 検査方法	Visual
28. Name of Inspection / 検査場所	Y. Y. Y.	Inspection Method / 検査方法	Visual
29. Name of Inspection / 検査場所	Y. Y. Y.	Inspection Method / 検査方法	Visual
30. Name of Inspection / 検査場所	Y. Y. Y.	Inspection Method / 検査方法	Visual
31. Name of Inspection / 検査場所	Y. Y. Y.	Inspection Method / 検査方法	Visual
32. Name of Inspection / 検査場所	Y. Y. Y.	Inspection Method / 検査方法	Visual
33. Name of Inspection / 検査場所	Y. Y. Y.	Inspection Method / 検査方法	Visual
34. Name of Inspection / 検査場所	Y. Y. Y.	Inspection Method / 検査方法	Visual
35. Name of Inspection / 検査場所	Y. Y. Y.	Inspection Method / 検査方法	Visual
36. Name of Inspection / 検査場所	Y. Y. Y.	Inspection Method / 検査方法	Visual
37. Name of Inspection / 検査場所	Y. Y. Y.	Inspection Method / 検査方法	Visual
38. Name of Inspection / 検査場所	Y. Y. Y.	Inspection Method / 検査方法	Visual
39. Name of Inspection / 検査場所	Y. Y. Y.	Inspection Method / 検査方法	Visual
40. Name of Inspection / 検査場所	Y. Y. Y.	Inspection Method / 検査方法	Visual
41. Name of Inspection / 検査場所	Y. Y. Y.	Inspection Method / 検査方法	Visual
42. Name of Inspection / 検査場所	Y. Y. Y.	Inspection Method / 検査方法	Visual
43. Name of Inspection / 検査場所	Y. Y. Y.	Inspection Method / 検査方法	Visual
44. Name of Inspection / 検査場所	Y. Y. Y.	Inspection Method / 検査方法	Visual
45. Name of Inspection / 検査場所	Y. Y. Y.	Inspection Method / 検査方法	Visual
46. Name of Inspection / 検査場所	Y. Y. Y.	Inspection Method / 検査方法	Visual
47. Name of Inspection / 検査場所	Y. Y. Y.	Inspection Method / 検査方法	Visual
48. Name of Inspection / 検査場所	Y. Y. Y.	Inspection Method / 検査方法	Visual
49. Name of Inspection / 検査場所	Y. Y. Y.	Inspection Method / 検査方法	Visual
50. Name of Inspection / 検査場所	Y. Y. Y.	Inspection Method / 検査方法	Visual
51. Name of Inspection / 検査場所	Y. Y. Y.	Inspection Method / 検査方法	Visual
52. Name of Inspection / 検査場所	Y. Y. Y.	Inspection Method / 検査方法	Visual
53. Name of Inspection / 検査場所	Y. Y. Y.	Inspection Method / 検査方法	Visual
54. Name of Inspection / 検査場所	Y. Y. Y.	Inspection Method / 検査方法	Visual
55. Name of Inspection / 検査場所	Y. Y. Y.	Inspection Method / 検査方法	Visual
56. Name of Inspection / 検査場所	Y. Y. Y.	Inspection Method / 検査方法	Visual
57. Name of Inspection / 検査場所	Y. Y. Y.	Inspection Method / 検査方法	Visual
58. Name of Inspection / 検査場所	Y. Y. Y.	Inspection Method / 検査方法	Visual
59. Name of Inspection / 検査場所	Y. Y. Y.	Inspection Method / 検査方法	Visual
60. Name of Inspection / 検査場所	Y. Y. Y.	Inspection Method / 検査方法	Visual
61. Name of Inspection / 検査場所	Y. Y. Y.	Inspection Method / 検査方法	Visual
62. Name of Inspection / 検査場所	Y. Y. Y.	Inspection Method / 検査方法	Visual
63. Name of Inspection / 検査場所	Y. Y. Y.	Inspection Method / 検査方法	Visual
64. Name of Inspection / 検査場所	Y. Y. Y.	Inspection Method / 検査方法	Visual
65. Name of Inspection / 検査場所	Y. Y. Y.	Inspection Method / 検査方法	Visual
66. Name of Inspection / 検査場所	Y. Y. Y.	Inspection Method / 検査方法	Visual
67. Name of Inspection / 検査場所	Y. Y. Y.	Inspection Method / 検査方法	Visual
68. Name of Inspection / 検査場所	Y. Y. Y.	Inspection Method / 検査方法	Visual
69. Name of Inspection / 検査場所	Y. Y. Y.	Inspection Method / 検査方法	Visual
70. Name of Inspection / 検査場所	Y. Y. Y.	Inspection Method / 検査方法	Visual
71. Name of Inspection / 検査場所	Y. Y. Y.	Inspection Method / 検査方法	Visual
72. Name of Inspection / 検査場所	Y. Y. Y.	Inspection Method / 検査方法	Visual
73. Name of Inspection / 検査場所	Y. Y. Y.	Inspection Method / 検査方法	Visual
74. Name of Inspection / 検査場所	Y. Y. Y.	Inspection Method / 検査方法	Visual
75. Name of Inspection / 検査場所	Y. Y. Y.	Inspection Method / 検査方法	Visual
76. Name of Inspection / 検査場所	Y. Y. Y.	Inspection Method / 検査方法	Visual
77. Name of Inspection / 検査場所	Y. Y. Y.	Inspection Method / 検査方法	Visual
78. Name of Inspection / 検査場所	Y. Y. Y.	Inspection Method / 検査方法	Visual
79. Name of Inspection / 検査場所	Y. Y. Y.	Inspection Method / 検査方法	Visual
80. Name of Inspection / 検査場所	Y. Y. Y.	Inspection Method / 検査方法	Visual
81. Name of Inspection / 検査場所	Y. Y. Y.	Inspection Method / 検査方法	Visual
82. Name of Inspection / 検査場所	Y. Y. Y.	Inspection Method / 検査方法	Visual
83. Name of Inspection / 検査場所	Y. Y. Y.	Inspection Method / 検査方法	Visual
84. Name of Inspection / 検査場所	Y. Y. Y.	Inspection Method / 検査方法	Visual
85. Name of Inspection / 検査場所	Y. Y. Y.	Inspection Method / 検査方法	Visual
86. Name of Inspection / 検査場所	Y. Y. Y.	Inspection Method / 検査方法	Visual
87. Name of Inspection / 検査場所	Y. Y. Y.	Inspection Method / 検査方法	Visual
88. Name of Inspection / 検査場所	Y. Y. Y.	Inspection Method / 検査方法	Visual
89. Name of Inspection / 検査場所	Y. Y. Y.	Inspection Method / 検査方法	Visual
90. Name of Inspection / 検査場所	Y. Y. Y.	Inspection Method / 検査方法	Visual
91. Name of Inspection / 検査場所	Y. Y. Y.	Inspection Method / 検査方法	Visual
92. Name of Inspection / 検査場所	Y. Y. Y.	Inspection Method / 検査方法	Visual
93. Name of Inspection / 検査場所	Y. Y. Y.	Inspection Method / 検査方法	Visual
94. Name of Inspection / 検査場所	Y. Y. Y.	Inspection Method / 検査方法	Visual
95. Name of Inspection / 検査場所	Y. Y. Y.	Inspection Method / 検査方法	Visual
96. Name of Inspection / 検査場所	Y. Y. Y.	Inspection Method / 検査方法	Visual
97. Name of Inspection / 検査場所	Y. Y. Y.	Inspection Method / 検査方法	Visual
98. Name of Inspection / 検査場所	Y. Y. Y.	Inspection Method / 検査方法	Visual
99. Name of Inspection / 検査場所	Y. Y. Y.	Inspection Method / 検査方法	Visual
100. Name of Inspection / 検査場所	Y. Y. Y.	Inspection Method / 検査方法	Visual

Certificate of inspection

Technical Data

- Accuracy: Refer to the list of specifications.
 Resolution: .00005"/0.001mm or 0.001mm (up to 4" models)
 .0001" / 0.001mm (over 4" models)
 Flatness: .000012"/0.3μm
 Parallelism: .00004"/1μm for models up to 2"/50mm
 .00008"/2μm for models up to 4"/100mm
 .00012"/3μm for models up to 7"/175mm
 .00016"/4μm for models up to 11"/275mm
 .0002"/5μm for models over 12"/300mm
- Measuring faces: Carbide tipped
 Display: LCD
 Battery: SR44 (1 pc.), **938882**
 Battery life: Approx. 2.4 years under normal use
 Dust/Water protection level: IP65

Function

- Origin-set, Zero / ABS, Hold, Auto power on/off,
 Data output (output models),
 inch/mm conversion (on inch/metric models only)
 Alarm: Low voltage, Counting value composition error

Optional Accessories

- 05CZA662:** SPC cable with data switch (40"/1m)
05CZA663: SPC cable with data switch (80"/2m)



SPC cable with data switch

SPECIFICATIONS

Metric With ratchet stop

Range	Resolution	Order No.	Accuracy
0 - 25mm	0.001mm	293-230-30 / 293-240-30*	±1µm
25 - 50mm	0.001mm	293-231-30 / 293-241-30*	±1µm
50 - 75mm	0.001mm	293-232-30 / 293-242-30*	±1µm
75 - 100mm	0.001mm	293-233-30 / 293-243-30*	±2µm
100 - 125mm	0.001mm	293-250-30	±2µm
125 - 150mm	0.001mm	293-251-30	±2µm
150 - 175mm	0.001mm	293-252-30	±3µm
175 - 200mm	0.001mm	293-253-30	±3µm
200 - 225mm	0.001mm	293-254-30	±3µm
225 - 250mm	0.001mm	293-255-30	±4µm
250 - 275mm	0.001mm	293-256-30	±4µm
275 - 300mm	0.001mm	293-257-30	±4µm

*without SPC data output

Metric With ratchet thimble

Range	Resolution	Order No.	Accuracy
0 - 25mm	0.001mm	293-234-30 / 293-244-30*	±1µm
25 - 50mm	0.001mm	293-235-30 / 293-245-30*	±1µm
50 - 75mm	0.001mm	293-236-30 / 293-246-30*	±1µm
75 - 100mm	0.001mm	293-237-30 / 293-247-30*	±2µm

*without SPC data output

Metric Micrometer Set

Range	Order No.	Included in set
0-50mm (2pcs. Set)	293-966-30	293-230-30, 293-231-30, 25mm CERA block, plastic case
0-75mm (3pcs. Set)	293-962-30	293-230-30, 293-231-30, 293-232-30, 2 standard bars, plastic case
0-100mm (4pcs. Set)	293-963-30	293-230-30, 293-231-30, 293-232-30, 293-233-30, 3 standard bars, wooden box

Inch/Metric With ratchet stop

Range	Resolution	Order No.	Accuracy
0 - 1" / 0 - 25.4mm	.00005" / 0.001mm	293-330-30 / 293-340-30*	±.00005"
1" - 2" / 25.4 - 50.8mm	.00005" / 0.001mm	293-331-30 / 293-341-30*	±.00005"
2" - 3" / 50.8 - 76.2mm	.00005" / 0.001mm	293-332-30 / 293-342-30*	±.00005"
3" - 4" / 76.2 - 101.6mm	.00005" / 0.001mm	293-333-30 / 293-343-30*	±.0001"
4" - 5" / 101.6 - 127.0mm	.0001" / 0.001mm	293-350-30	±.0001"
5" - 6" / 127.0 - 152.4mm	.0001" / 0.001mm	293-351-30	±.0001"
6" - 7" / 152.4 - 177.8mm	.0001" / 0.001mm	293-352-30	±.00015"
7" - 8" / 177.8 - 203.2mm	.0001" / 0.001mm	293-353-30	±.00015"
8" - 9" / 203.2 - 228.6mm	.0001" / 0.001mm	293-354-30	±.00015"
9" - 10" / 228.6 - 254.0mm	.0001" / 0.001mm	293-355-30	±.0002"
10" - 11" / 254.0 - 279.4mm	.0001" / 0.001mm	293-356-30	±.0002"
11" - 12" / 279.4 - 304.8mm	.0001" / 0.001mm	293-357-30	±.0002"

*without SPC data output

Inch/Metric With ratchet thimble

Range	Resolution	Order No.	Accuracy
0 - 1" / 0 - 25.4mm	.00005" / 0.001mm	293-334-30 / 293-344-30*	±.00005"
0 - 1" / 0 - 25.4mm	.0001" / 0.001mm	293-349-30*	±.0001"
1" - 2" / 25.4 - 50.8mm	.00005" / 0.001mm	293-345-30*	±.00005"
2" - 3" / 50.8 - 76.2mm	.00005" / 0.001mm	293-346-30*	±.00005"
3" - 4" / 76.2 - 101.6mm	.00005" / 0.001mm	293-347-30*	±.0001"

*without SPC data output

Inch/Metric With friction thimble

Range	Resolution	Order No.	Accuracy
0 - 1" / 0 - 25.4mm	.00005" / 0.001mm	293-335-30 / 293-348-30*	±.00005"
1" - 2" / 25.4 - 50.8mm	.00005" / 0.001mm	293-336-30	±.00005"

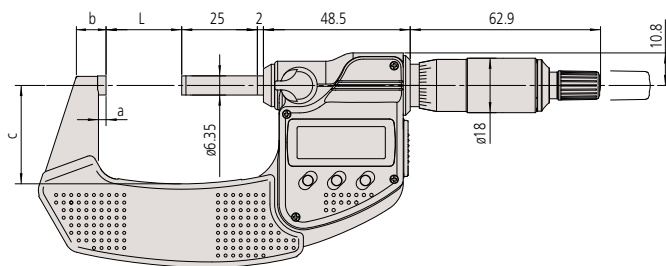
*without SPC data output

Inch/Metric Micrometer Set .00005" / 0.001mm graduation model

Range	Order No.	Included in set
0 - 3" / 0 - 76.2mm (3 pcs. set)	293-960-30	293-330-30, 293-331-30, 293-332-30, 2 standard bars, plastic case
0 - 4" / 0 - 101.6mm (4 pcs. set)	293-961-30	293-330-30, 293-331-30, 293-332-30, 293-333-30, 3 standard bars, wooden box

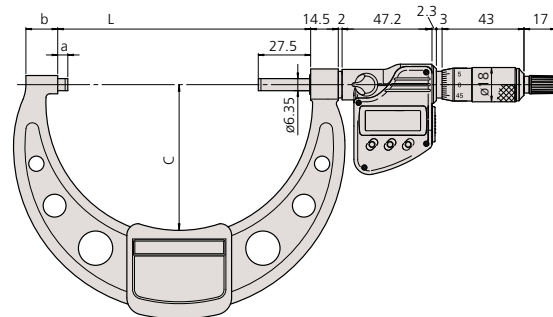
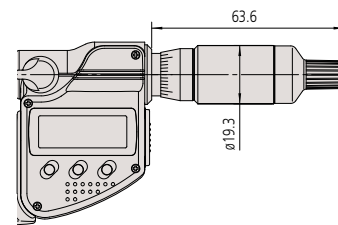
DIMENSIONS AND MASS

Ratchet-stop type (up to 100mm/4")



Ratchet-thimble type and friction-thimble type

Unit: mm



Ratchet stop type (over 100mm/4" to 300mm/12")

Range (Metric / Inch)	L	a	b	c	Mass (g)
0 - 25mm / 0-1"	0	2.5	9	(25)	270
25 - 50mm / 1-2"	25	2.5	9.8	(32.5)	330
50 - 75mm / 2-3"	50	2.5	12.6	(47)	470
75 - 100mm / 3-4"	75	2.5	14	(60)	625
100 - 125mm / 4-5"	132.8	5.3	16.7	(76.5)	600
125 - 150mm / 5-6"	158.2	5.7	18.8	(91)	740
150 - 175mm / 6-7"	183.6	6.1	19.1	(103.1)	800
175 - 200mm / 7-8"	208.8	6.3	18.2	(115.3)	970
200 - 225mm / 8-9"	234.2	6.7	16.8	(126.8)	1100
225 - 250mm / 9-10"	258	5.5	18	(139.8)	1270
250 - 275mm / 10-11"	284	18	28	(152.3)	1340
275 - 300mm / 11-12"	309	18	28	(166)	1540

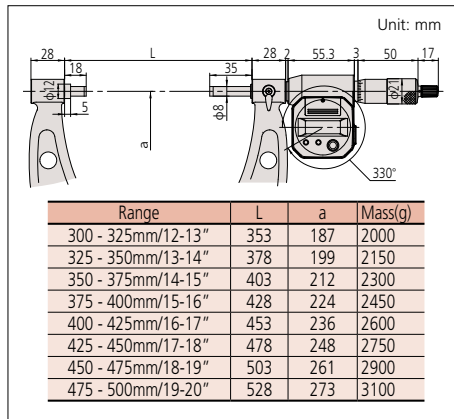
Digimatic Micrometer

SERIES 293



293-582

DIMENSIONS



SPECIFICATIONS

Metric With ratchet stop			
Range	Resolution	Order No.	Accuracy
300 - 325mm	0.001mm	293-582	±6μm
325 - 350mm	0.001mm	293-583	±6μm
350 - 375mm	0.001mm	293-584	±6μm
375 - 400mm	0.001mm	293-585	±7μm
400 - 425mm	0.001mm	293-586	±7μm
425 - 450mm	0.001mm	293-587	±7μm
450 - 475mm	0.001mm	293-588	±8μm
475 - 500mm	0.001mm	293-589	±8μm

Inch/Metric With ratchet stop			
Range	Resolution	Order No.	Accuracy
12" - 13" / 304.8 - 330.2mm	.0001" / 0.001mm	293-782	±.0003"
13" - 14" / 330.2 - 355.6mm	.0001" / 0.001mm	293-783	±.0003"
14" - 15" / 355.6 - 381.0mm	.0001" / 0.001mm	293-784	±.0003"
15" - 16" / 381.0 - 406.4mm	.0001" / 0.001mm	293-785	±.00035"
16" - 17" / 406.4 - 431.8mm	.0001" / 0.001mm	293-786	±.00035"
17" - 18" / 431.8 - 457.2mm	.0001" / 0.001mm	293-787	±.00035"
18" - 19" / 457.2 - 482.6mm	.0001" / 0.001mm	293-788	±.0004"
19" - 20" / 482.6 - 508.0mm	.0001" / 0.001mm	293-789	±.0004"

Technical Data

Accuracy: Refer to the list of specifications.
 Resolution: .0001"/0.001mm or 0.001mm
 Flatness: .000024" / 0.6μm
 Parallelism: .0002"/5μm for models up to 15"/375mm
 .00024"/6μm for models up to 19"/475mm
 .00028"/7μm for models over 20"/500mm
 Measuring faces: Carbide tipped
 Display: LCD
 Battery: SR44 (2 pcs.), **938882**
 Battery life: Approx. 1.8 years under normal use

Function

Preset, Zero-setting, Power ON/OFF, Data hold, Data output, inch/mm conversion (on inch/metric models only)
 Alarm: Low voltage, Counting value composition error

Optional Accessories

959149: SPC cable (40"/1m) Straight type
959150: SPC cable (80"/2m) Straight type
04AZB512: SPC cable L-type (40"/1m)
04AZB513: SPC cable L-type (80"/2m)



Digimatic Micrometer

SERIES 293 MDC-Lite

FEATURES

- Provided only with zero set and in/mm (inch/metric models only) keys.
- A ratchet stop or friction thimble for a constant measuring force.
- Measurement readout with large characters on the LCD.
- No spindle clamp. No data output.
- Supplied in fitted plastic case.



293-831-30



SPECIFICATIONS

Metric With ratchet stop			
Range	Resolution	Order No.	Accuracy
0 - 25mm	0.001mm	293-821-30	±2μm

Inch/Metric With ratchet stop			
Range	Resolution	Order No.	Accuracy
0 - 1" / 0 - 25.4mm	.00005" / 0.001mm	293-831-30	±.0001"

Inch/Metric With friction thimble			
Range	Resolution	Order No.	Accuracy
0 - 1" / 0 - 25.4mm	.00005" / 0.001mm	293-832-30	±.0001"

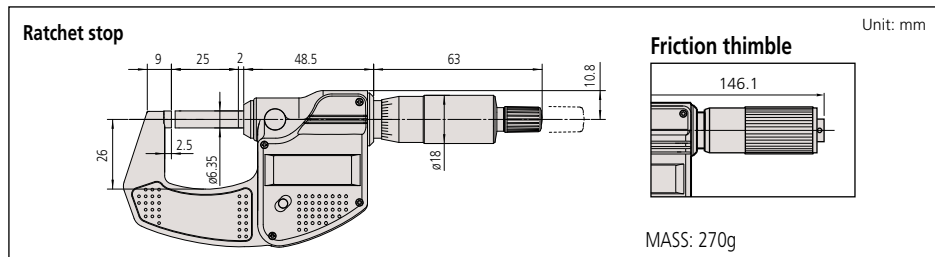
Technical Data

Accuracy: Refer to the list of specifications
 Resolution: .00005"/0.001mm or 0.001mm
 Flatness: .000012" / 0.3μm
 Parallelism: .00008" / 2μm
 Measuring faces: Carbide tipped
 Display: LCD
 Battery: SR44 (1 pc.), **938882**
 Battery life: Approx. 2.4 years under normal use

Function

Origin-set, Automatic power on/off, inch/mm conversion (on inch/metric models only)
 Alarm: Low voltage, Counting value composition error

DIMENSIONS AND MASS



MDH Micrometer

SERIES 293 — High-Accuracy Sub-Micron Digimatic Micrometer

Technical Data

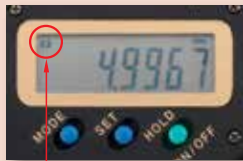
Flatness: 0.3µm/0.00012"
 Parallelism: 0.6µm/0.00024
 Measuring force: 7 to 9N
 Power supply: Lithium battery 05SAA217 (CR2032) x 1
 Battery life: Approx. two years when used under normal conditions

Functions

Preset (ABS measurement system)
 Zero-setting (INC measurement system)
 Hold, Resolution switching, Function lock, On/off, Auto power off, Measurement data output, Error alarm

Optional Accessories

05CZA662: SPC cable with data switch (1m/40")
 05CZA663: SPC cable with data switch (2m/80")



Function lock

Heat shield



FEATURES

- Enabling .000005"/0.1µm resolution measurement, this micrometer is ideal for customers who need to make highly accurate measurements with a handheld tool.
- A highly rigid frame and high-performance constant-force mechanism* enable more stable measurements, while the clicks emitted while the workpiece is being measured assure the operator that measurement is proceeding normally.
- Body heat transferred to the instrument is reduced by a (removable) heat shield, minimizing the error caused by thermal expansion of the frame when performing handheld measurements.
- The ABS (absolute) rotary sensor also eliminates the need to perform origin setting each time the power is turned on, letting you start measuring right away. With no possibility of overspeed errors, the High-Accuracy Digimatic Micrometer also delivers a high level of reliability.

* Patent pending in Japan, the United States of America, the European Union and China.



293-130

SPECIFICATIONS

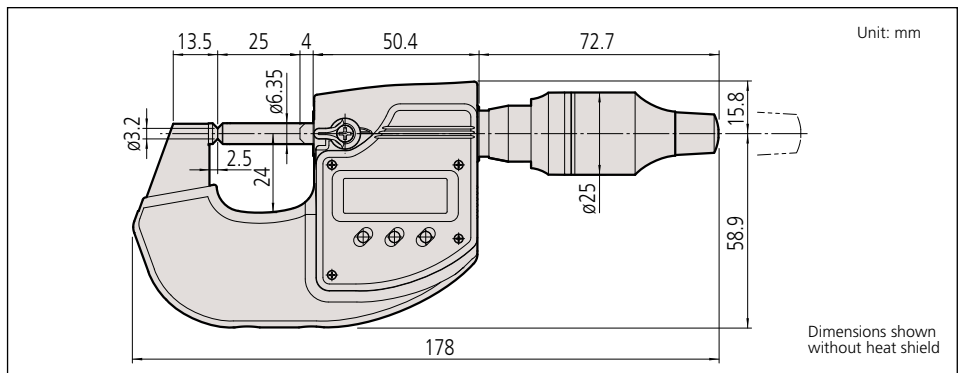
Metric

Order No.	Range	Resolution	Accuracy	Measuring surface	Mass
293-100	0 - 25mm	0.0001mm/0.0005mm (switchable)	±0.5µm	ø3.2mm	400g (440g w/Heat shield)

Inch/Metric

Order No.	Range	Resolution	Accuracy	Measuring surface	Mass
293-130	0 - 1" / 0 - 25.4mm	.000005"/.00002" / 0.0001mm/0.0005mm (switchable)	±.00002"	ø3.2mm	400g (440g w/Heat shield)

DIMENSIONS



QuantuMike

SERIES 293 — Coolant-proof Micrometer

FEATURES

- Faster measurement with 2mm per revolution instead of the standard 0.5mm.
- A patented ratchet thimble mechanism helps ensure repeatability.
- A function lock helps prevent error.
- IP-65 protection level.
- Certificate of inspection provided.
- With a standard bar except for 0-25mm/0-1" model.
- Supplied in fitted plastic case.



293-180



293-142

SPECIFICATIONS

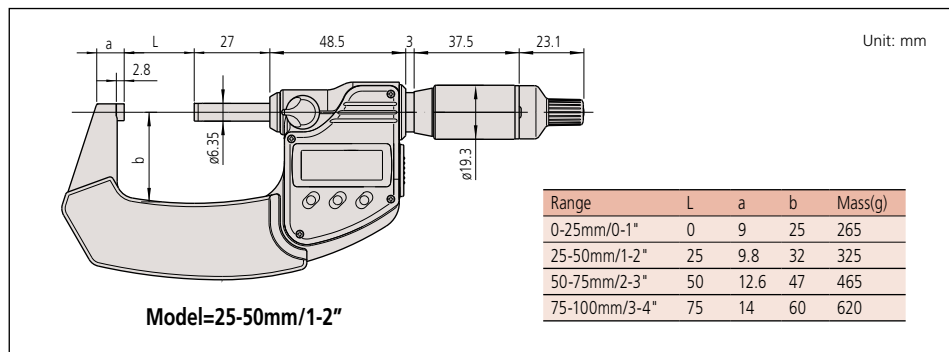
Metric			
Range	Resolution	Order No.	Accuracy
0-25mm	0.001mm	293-140	1µm
0-25mm	0.001mm	293-145*	1µm
25-50mm	0.001mm	293-141	1µm
25-50mm	0.001mm	293-146*	1µm
50-75mm	0.001mm	293-142	2µm
50-75mm	0.001mm	293-147*	2µm
75-100mm	0.001mm	293-143	2µm
75-100mm	0.001mm	293-148*	2µm

* without SPC data output

Inch/Metric			
Range	Resolution	Order No.	Accuracy
0-1"/0 - 25.4mm	.00005"/0.001mm	293-180	.00005"
0-1"/0 - 25.4mm	.00005"/0.001mm	293-185*	.00005"
1-2"/25.4 - 50.8mm	.00005"/0.001mm	293-181	.00005"
1-2"/25.4 - 50.8mm	.00005"/0.001mm	293-186*	.00005"
2-3"/50.8 - 76.2mm	.00005"/0.001mm	293-182	.0001"
2-3"/50.8 - 76.2mm	.00005"/0.001mm	293-187*	.0001"
3-4"/76.2 - 101.6mm	.00005"/0.001mm	293-183	.0001"
3-4"/76.2 - 101.6mm	.00005"/0.001mm	293-188*	.0001"

* without SPC data output

DIMENSIONS AND MASS



Certificate of inspection

Technical Data

Accuracy: Refer to the list of specifications
 Resolution: 0.001mm or .00005"/0.001mm
 Flatness: 0.3µm/.000012"
 Parallelism: 1µm/.00004" for models up to 50mm/2"
 2µm/.00008" for models up to 100mm/4"
 Measuring force: 7-12N
 Measuring faces: Carbide tipped
 Display: LCD
 Battery: SR44 (1 pc.), 938882
 Battery life: Approx. 1.2 years under normal use
 Dust/Water protection level: IP65

Function

Origin-set, Zero / ABS, Hold, Function lock, Auto power on/off, Data output (output models), inch/mm conversion (on inch/metric models only)
 Alarm: Low voltage, Counting value composition error

Optional Accessories

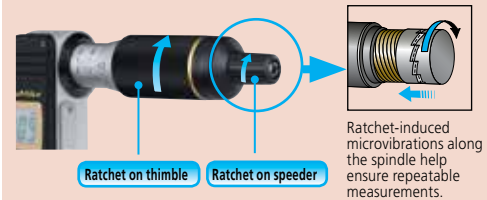
- 05CZA662: SPC cable with data switch (1m/40")
- 05CZA663: SPC cable with data switch (2m/80")



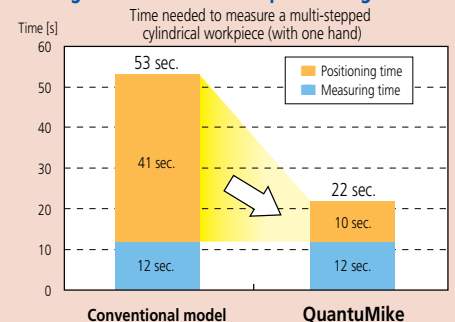
SPC cable with data switch

516-529-26 Inspection Gage Block Set
 Rectangular Steel Gage Block
 10 pc. blocks and 1 pc. optical parallel

516-319-26 Inspection Gage Block Set
 Rectangular Cera Gage Block
 10 pc. blocks and 1 pc. optical parallel



Significant reduction in positioning time



Quickmike

SERIES 293 — IP-54 ABSOLUTE Digimatic Micrometers

The Quickmike provides a speedy spindle feed of 10mm / .4" per thimble rotation as compared to the conventional micrometer with 0.5mm / .025" per rotation. Its wide 30mm / 1.2" measuring range allows various workpieces with different shapes to be measured quickly.

FEATURES

- Non-rotating spindle and the new ratchet friction thimble.
- Speedy spindle feed by 10mm/rev and .4"/rev for inch/metric models.
- With absolute linear scale.
- IP54 dust/water protection (when not connected with data output cable).
- With SPC data output.
- With a standard bar to set the origin point (for models with a range over 30mm / 1.2").
- Supplied in fitted plastic case.



293-676



293-677



293-678



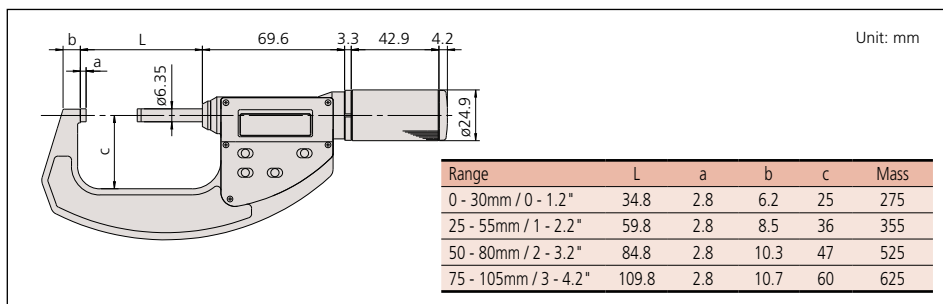
293-679

SPECIFICATIONS

Metric			
Range	Resolution	Order No.	Accuracy
0 - 30mm	0.001mm	293-666	±2µm
25 - 55mm	0.001mm	293-667	±2µm
50 - 80mm	0.001mm	293-668	±3µm
75 - 105mm	0.001mm	293-669	±3µm

Inch/Metric			
Range	Resolution	Order No.	Accuracy
0 - 1.2" / 0 - 30.48mm	.00005" / 0.001mm	293-676	±.0001"
1" - 2.2" / 25.4 - 55.88mm	.00005" / 0.001mm	293-677	±.0001"
2" - 3.2" / 50.8 - 81.28mm	.00005" / 0.001mm	293-678	±.00015"
3" - 4.2" / 76.2 - 106.68mm	.00005" / 0.001mm	293-679	±.00015"

DIMENSIONS AND MASS

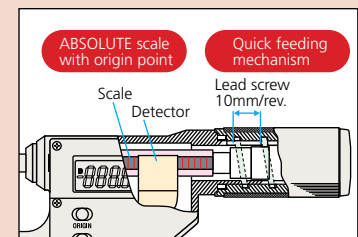


Technical Data

Accuracy: Refer to the list of specifications
 Resolution: 0.001mm or .00005"/0.001mm
 Flatness: 0.3µm / .000012"
 Parallelism: 2µm / .00008" for models up to 80mm / 3.2"
 3µm / .00012" for models up to 105mm / 4.2"
 Measuring force: 5-10N
 Measuring faces: Carbide tipped
 Display: LCD
 Battery: SR44 (1 pc.), 938882
 Battery life: Approx. 3 years under normal use
 (1 year for models over 30mm / 1.2")
 Dust/Water protection level: IP54

Function

Origin, Hold / Data, ON/OFF, Zero / ABS, inch/mm conversion (on inch/metric models only)
 Alarm: Low voltage, Counting value composition error



Optional Accessories

- 937387: SPC cable (1m / 40")
- 965013: SPC cable (2m / 80")